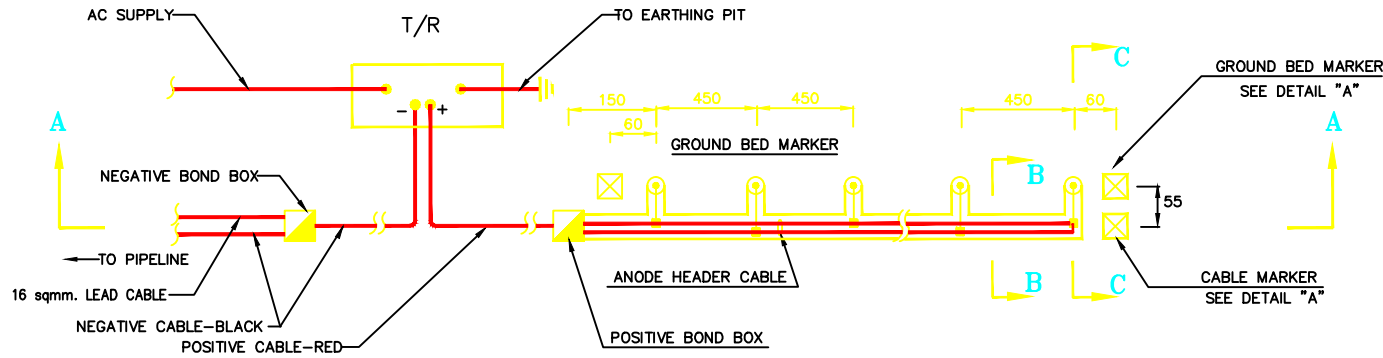
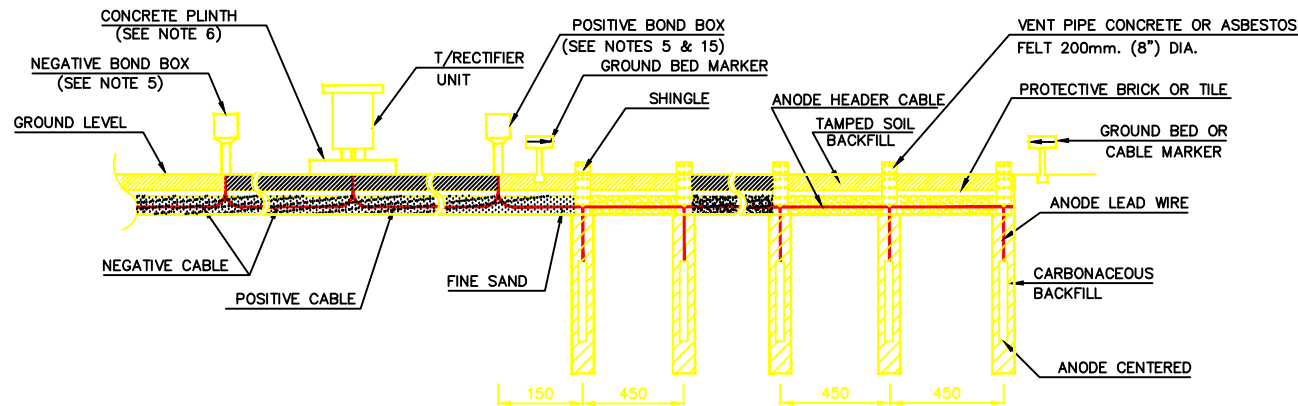


NOTES

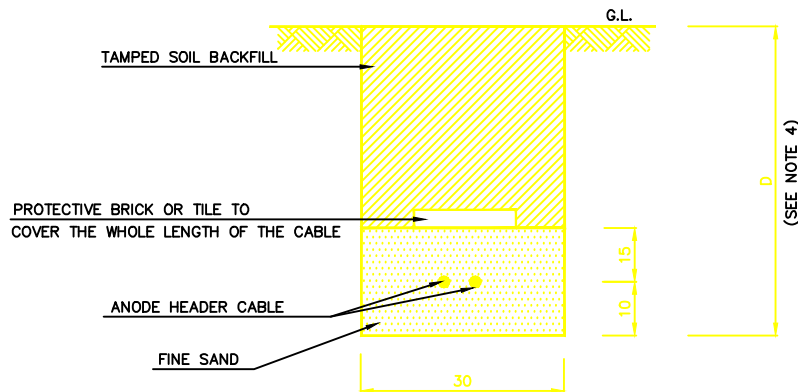
- 1- ALL DIMENSIONS ARE IN cm. UNLESS OTHERWISE SPECIFIED NOTED.
- 2- THE PARTICULAR CHARACTERISTICS OF INSTALLATION ARE INDICATED ON THE LOCATION DRAWINGS OF EACH IMPRESSED CURRENT STATION.
- 3- MATERIALS CHARACTERISTICS SHALL BE SPECIFIED BY DESIGNER WITH REFERENCE TO IPS-M-TP-750 (GENERAL ITEMS).
- 4- D=70cm MINIMUM UNLESS OTHERWISE SPECIFIED BY THE DESIGNER.
- 5- FOR DETAILS AND INSTALLATION SEE DWG. No.IPS-D-TP-704
- 6- FOR DETAILS AND INSTALLATION SEE DWG. No.IPS-D-TP-701
- 7- FOR USING SPLICING KIT SEE DWG.No.IPS-D-TP-719
- 8- THE SPLICING KIT USED SHALL BE WITHIN ITS STATED SHELF LIFE.
- 9- SPLICING KIT BETWEEN T/R AND THE POSITIVE IS NOT ALLOWED.
- 10- VENT PIPE SHALL BE FILLED UP BY RIVER BANK ROUND SHAPE STONES APPROX. DIA. 50mm.
- 11- THE NEGATIVE CABLE AND LEAD CABLE SHALL BE CADWELDED ON PIPELINE SURFACE WITH 20cm. SPACING.
- 12- CABLE SIZES DEPENDS UPON DESIGN CONDITIONS.
- 13- AT THE CROSSING OF THE TRACK THE CABLES SHALL BE PLACED IN THE P.E. OR PVC CONDUITS.
- 14- THE CABLE ENDS SHALL BE SYSTEMATICALLY TAGGED. THE TAG SHALL BE CRIMPED FOR IDENTIFICATION COLOR CODE OF THE CABLES:
 BETWEEN T/R AND POSITIVE BOX: RED
 BETWEEN T/R AND NEGATIVE BOX: BLACK
 BETWEEN POSITIVE BOX AND GROUND BED: RED
 BETWEEN NEGATIVE BOX AND PIPELINE: BLACK
- 15- THE LOCATION OF THE POSITIVE BOND BOX CAN BE TOLERATED IN ACCORDANCE WITH THE SITE CONDITION.



CATHODIC PROTECTION LAYOUT OF GROUND BED



SECTION A-A



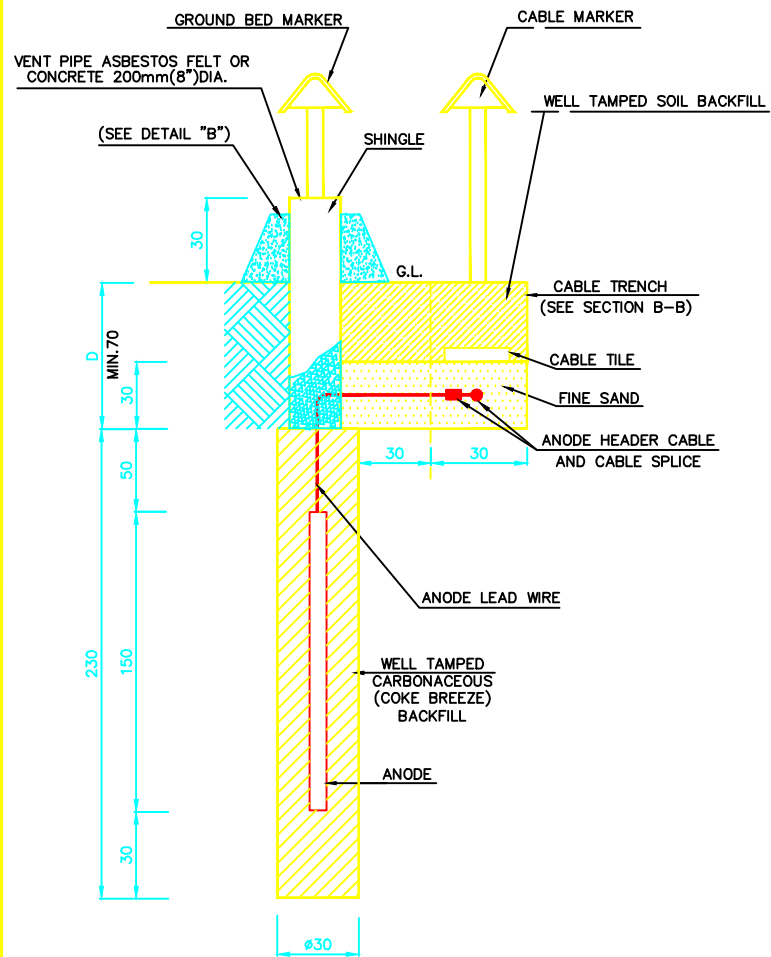
SECTION B-B TYPICAL CABLE TRENCH

REV.	DESCRIPTION	DATE
A		

IRANIAN PETROLEUM STANDARDS 
 NO REVISION PERMITTED UNLESS APPROVED BY STANDARD ORGANIZATION

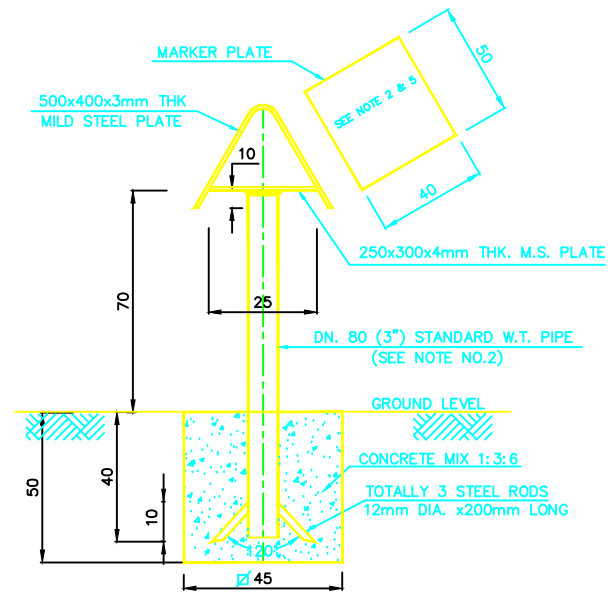
CATHODIC PROTECTION SYSTEM VERTICAL ANODE GROUND BED

DATE	DRAWING No.	SHEET	REV.
	IPS-D-TP-705	1/2	

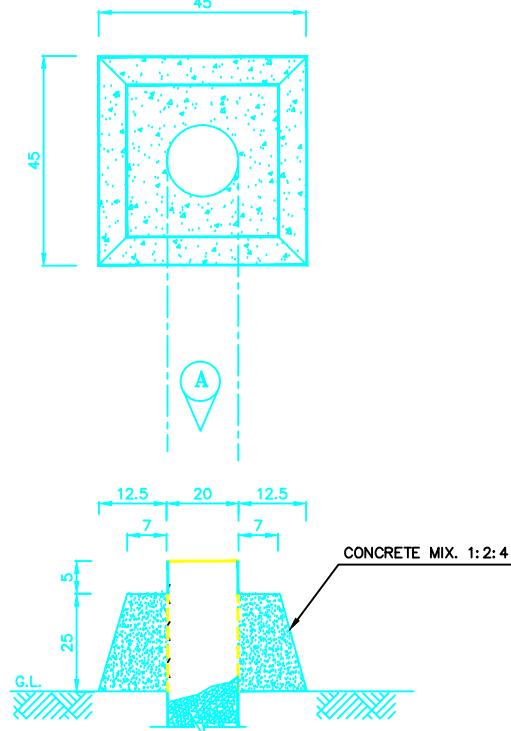


SECTION C-C

DETAIL "B"
VENT PIPE HEAD CONCRETE FOUNDATION



DETAIL "A"
CABLE AND GROUND BED MARKER



NOTES

- 1- ALL DIMENSIONS ARE IN cm. UNLESS OTHERWISE NOTED.
- 2- THE MARKER PLATE AND MOUNTING PIPE SHALL BE CLEANED, PRIMED, AND PAINTED WITH THE FOLLOWING PROEDURE:
 - A) SURFACE PREPARATION TO Sa 2 1/2.
 - B) ONE RED LEAD PRIMER (70 MICRONS) TO IPS-M-TP-115
 - C) ONE INTERMEDIATE COAT OF ALKYD PAINT (100 MICRONS) TO IPS-M-TP-130
 - D) ONE FINISHING COAT OF ALKYD GLOSSY YELLOW COLOR PAINT (100 MICRONS) TO IPS-M-TP-130; COLOR TO BS 381C, No.309. (TOTAL THICKNESS OF PAINTING 270 MICRONS AT LEAST).
- 3- POSITIVE AND NEGATIVE CABLES SHALL BE IDENTIFIED WITH THE CABLE MARKERS INSTALLED AT 30M. INTERVALS AND TURNING POINT.
- 4- THE STARTING AND END POINT OF GROUND BED SHALL BE IDENTIFIED WITH GROUND BED MARKER.
- 5- CABLE MARKERS SHALL BE LABELED BOTH IN FARSI AND ENGLISH "CATHODIC CABLE". GROUND BED MARKERS SHALL BE LABELED BOTH IN FARSI AND ENGLISH "GROUND BED".
- 6- ALL BURIED METALLIC PARTS SHALL BE COATED WITH MASTIC (3mm) TO IPS-M-TP-105
- 7- CHANGES ON DIMENSIONS OF CONCRETE BASE ARE PERMITTED SUBJECT TO LOCAL SUBSOIL CONDITIONS AND APPROVAL OF SITE ENGINEER.

REV.	DESCRIPTION	DATE
A		

IRANIAN PETROLEUM STANDARD 
NO REVISION PERMITTED UNLESS APPROVED BY STANDARD ORGANIZATION

CATHODIC PROTECTION SYSTEM VERTICAL ANODE GROUND BED INSTALLATION (TYPICAL)

DATE	DRAWING No.	SHEET	REV.
	IPS-D-TP-705	2	2