

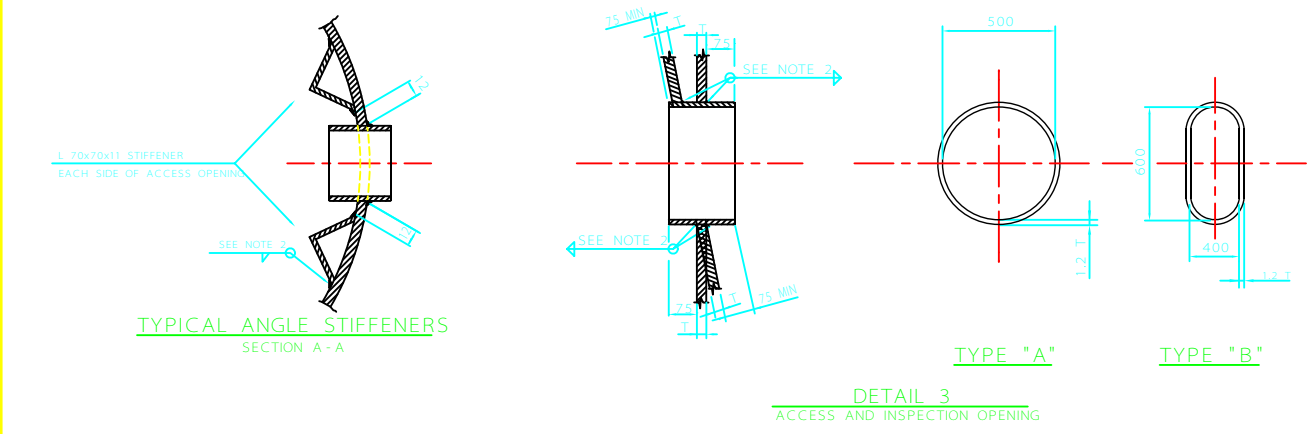
- GENERAL NOTES:**
- 1- ALL DIMENSIONS ARE IN MILLIMETERS AND PIPE SIZES ARE DN.
 - 2- ALL WELDINGS SHALL BE OF CONTINUOUS FILLET TYPE WITH DIMENSIONS THE THINNER OF THE WELDED PARTS, UNLESS OTHERWISE SPECIFIED
 - 3- VENTS SHALL BE 100 DN, 6.02 THK. AND SHALL BE EQUALLY SPACED ABOUT THE CIRCUMFERENCE

SKIRT VENT REQUIREMENTS

SKIRT O.D.	No. OF VENTS
915 AND SMALLER	2
916 THRU 1830	4
1831 THRU 2745	6
2746 THRU 3660	8
3661 THRU 4575	10
4576 THRU 5490	12

SKIRT ACCESS OR INSPECTION OPENING REQ.

SKIRT O.D.	No.	TYPE
< 850	1	TYPE "A"
851 THRU 950	1	TYPE "B"
951 THRU 1500	1	TYPE "A"
>1500	2	TYPE "A"



REV	DESCRIPTION	DATE
C		
B		
A		

IRANIAN PETROLEUM STANDARDS

NO REVISION PERMITTED UNLESS APPROVED BY STANDARD ORGANIZATION

VERTICAL VESSEL SUPPORT SKIRT OPENING DETAILS

DATE	DRAWING No.	SHEET	REV.
	IPS - D - ME - 010	1	1