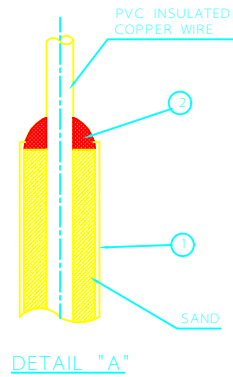
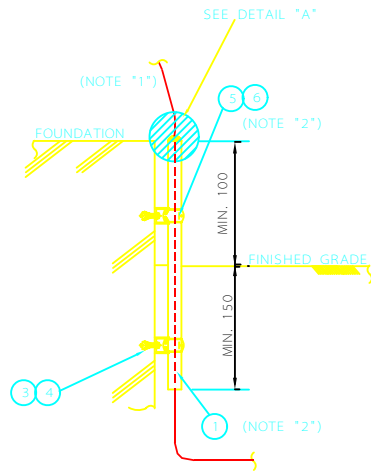
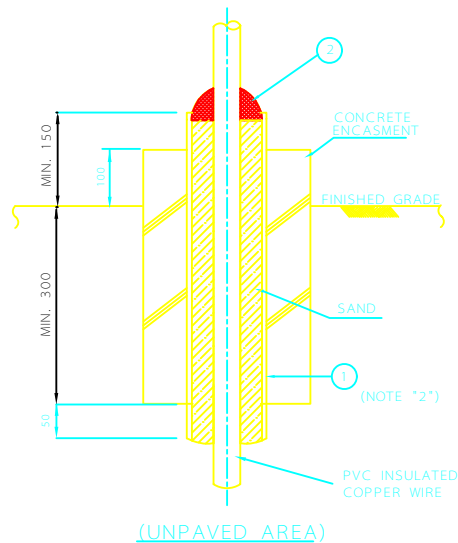
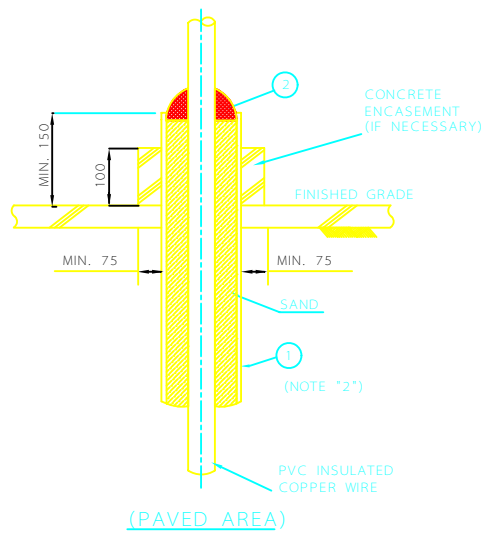


TYPE "A"



TYPE "B"



FREE STANDING STUB - UP CONDUIT

NOTES

- 1- END OF RIGID STEEL CONDUIT TO BE REAMED FREE OF ALL BURRS.
- 2- FOR CONDUIT SUPPORT, REFER TO DWG. No. IPS - D - EL - 415
- 3- ALL DIMENSIONS ARE IN MILLIMETERS

No.	DESCRIPTION	QTY.
①	RIGID STEEL CONDUIT	
②	NON HARDENING SEALING COMPOUND	
③	MASONRY ANCHOR	
④	BOLT & NUT WITH 1-SPRING, 2-FLAT WASHERS M8x15L FOR MASONRY ANCHOR	
⑤	UNISTRUT CHANNEL ([- 40x30x10x2.5tx120L])	
⑥	UNISTRUT CLAMP WITH BOLT/NUT	

REV	DESCRIPTION	DATE
C		
B		
A		

IRANIAN PETROLEUM STANDARDS 
 NO REVISION PERMITTED UNLESS APPROVED BY STANDARD ORGANIZATION

REFERENCE DRAWING
 GROUNDING INSTALLATION DETAILS
 "CATEGORY 400"
 STUB - UP CONDUIT PIPE

DATE	DRAWING No.	SHEET	REV.
	IPS - D - EL - 414	1	1