

NOTES

- 1- FOR EARTH LUG, REFER TO DWG. No. IPS-D-EL-413
- 2- FOR STUB-UP OF RIGID PVC PIPE AT GRADE. REFER TO DWG. No. IPS-D-EL-414
- 3- FOR PIPE SUPPORT, REFER TO DWG. No. IPS-D-EL-415
- 4- FOR BRANCH CONNECTOR, REFER TO DWG. No. IPS-D-EL-402
- 5- THE LOCATION OF CONNECTION POINTS ARE GENERALLY SHOWN ON THE LAYOUT DRAWINGS.
- 6- FOR NO. OF GROUNDING POINTS AND WIRE SIZE. REFER TO THE SELECTION CHART IN DWG. No. IPS-D-EL-417
- 7- ALL DIMENSIONS ARE IN MILLIMETERS

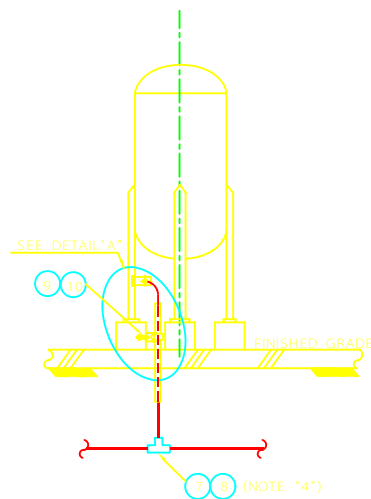
No.	DESCRIPTION	QTY.
1	EARTH LUG	1- EA
2	CRIMP TYPE TERMINAL LUG, 35 sqmm.	1- EA
3	BOLT & NUT WITH 1-SPRING,2-FLAT WASHER, SIZE:M10x25L FOR EARTH LUG	1- SET
4	RIGID PVC PIPE,	1- EA
5	UNISTRUT CHANNEL ([- 40x30x10x2.5tx120L)	1- EA
6	UNISTRUT CLAMP WITH BOLT/NUT, 20mm DIA.	1- SET
7	BRANCH CONNECTOR	1- EA
8	ADHESIVE TAPE	
9	MASONRY ANCHOR WITHOUT STUD, M8	
10	BOLT WITH 1-SPRING WASHER AND 1-FLAT WASHER SIZE- M8x15L FOR MASONRY ANCHOR	

REV	DESCRIPTION	DATE

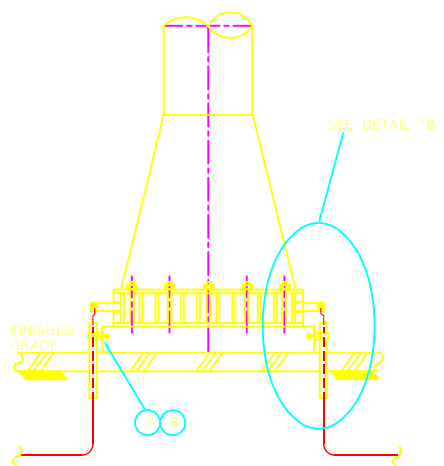
IRANIAN PETROLEUM STANDARDS
NO REVISION PERMITTED UNLESS APPROVED BY STANDARD ORGANIZATION

REFERENCE DRAWING
 GROUNDING INSTALLATION DETAILS
 "CATEGORY 400"
 VERTICAL DRUM, TOWER, TANK

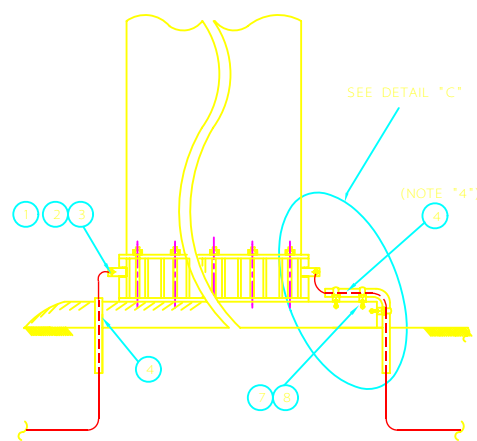
DATE	DRAWING No.	SHEET	REV.
	IPS - D - EL - 408	1	1



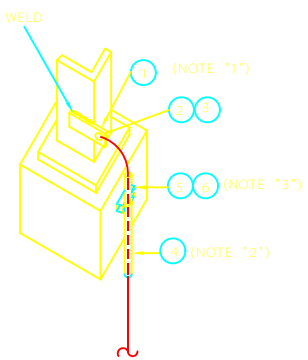
VERTICAL DRUM



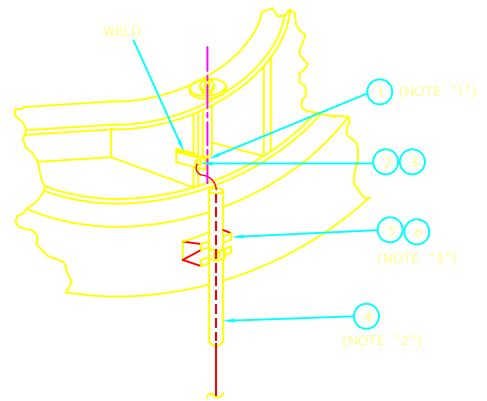
TOWER



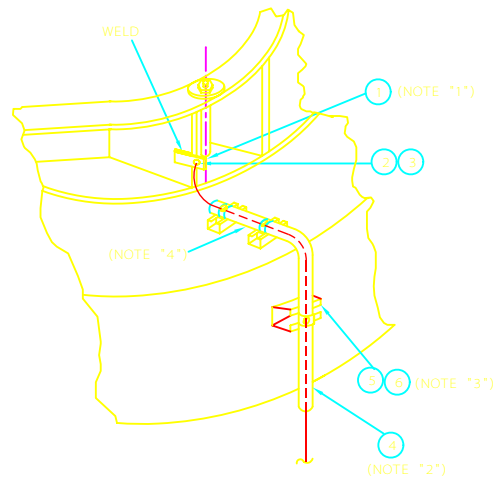
TANK



DETAIL "A"



DETAIL "B"



DETAIL "C"

DRUM HEIGHT	NO. OF CONNECTION
≤ 5m.	1
> 5m.	2