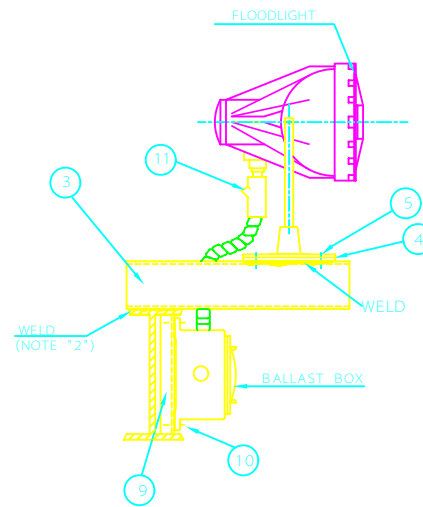
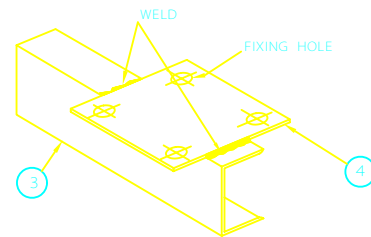


SEE DETAIL "A"

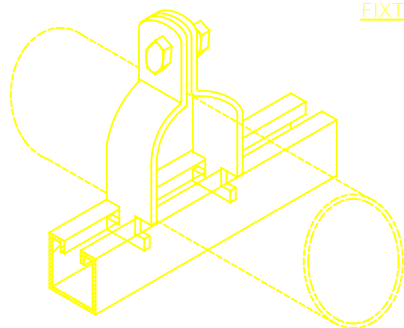
FRONT VIEW



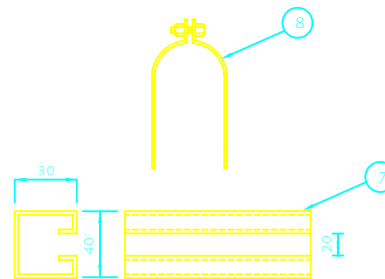
SECTION "A - A"



FIXTURE SUPPORT DETAIL



ISOMETRIC VIEW OF UNISTRUT CHANNEL & CLAMP



DETAIL "A"

NOTES

- 1- FOR TYPE OF LIGHTING FIXTURE, MOUNTING ELEVATION, etc. SEE RELEVANT LIGHTING LAYOUT DRAWING.
- 2- TO BE WELDED TO STEEL BEAM IN FIELD.
- 3- FOR INSTALLATION OF CONDUIT SUPPORT, REFER TO STANDARD DWG. EL-319-2.
- 4- ALL DIMENSIONS ARE IN MILLIMETERS.

No.	DESCRIPTION	QTY.
1	FLEXIBLE FITTING 1000mm. LENGTH	1-EA
2	UNION COUPLING	1-EA
3	FIXTURE SUPPORT ((100x50x5)	1-EA
4	MOUNTING PLATE (200x200x6)	1-EA
5	BOLT & NUT WITH 1-SPRING WASHER AND 2-FLAT WASHERS FOR FIXTURE	4-SETS
6	RIGID STEEL CONDUIT 20mm. DIA.	
7	UNISTRUT CHANNEL	
8	UNISTRUT CLAMP	
9	BALLAST BOX SUPPORT (L-50x50x6)	2-EA
10	BOLT & NUT WITH 1-SPRING WASHER AND 2-FLAT WASHERS FOR BOX	4-SETS
11	SEALING FITTING	3-EA
12	SHORT NIPPLE	1-EA

REV	DESCRIPTION	DATE
C		
B		
A		

IRANIAN PETROLEUM STANDARDS 

NO REVISION PERMITTED UNLESS APPROVED BY STANDARD ORGANIZATION

REFERENCE DRAWING
LIGHTING INSTALLATION DETAILS
"CATEGORY 300"
FLOODLIGHTING FIXTURE
(MOUNTED ON STEEL-BEAM)

DATE	DRAWING No.	SHEET	REV.
	IPS - D - EL - 315	1	1