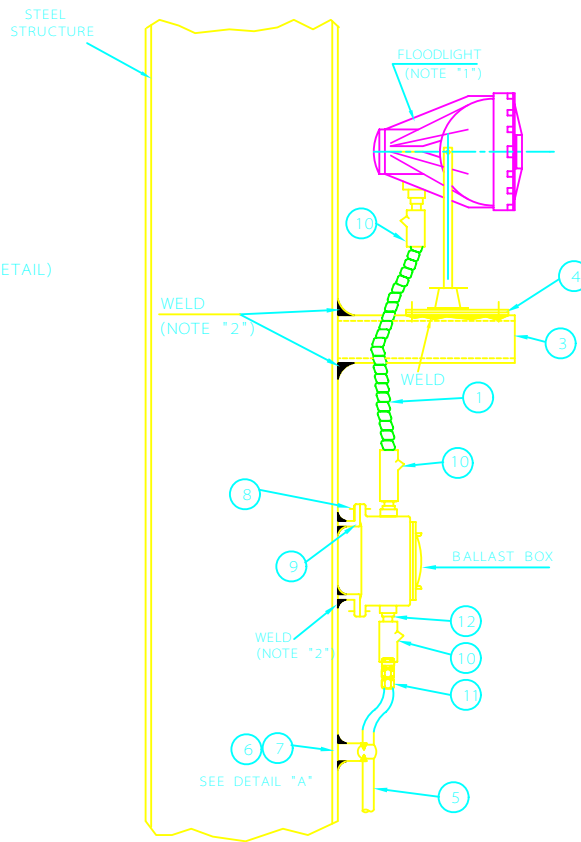
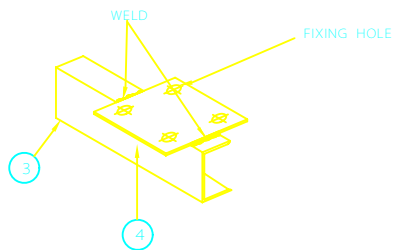


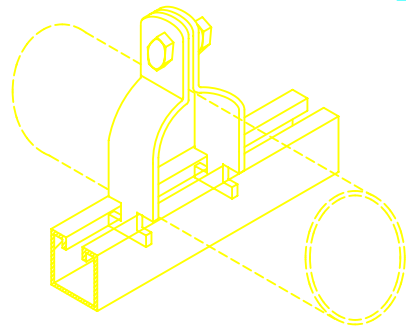
FRONT VIEW



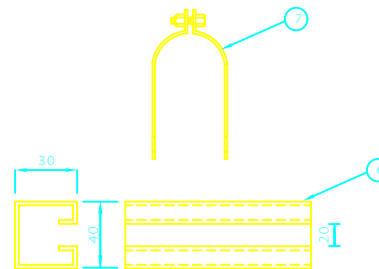
SIDE VIEW



MOUNTING SUPPORT DETAIL



ISOMETRIC VIEW OF UNISTRUT CHANNEL & CLAMP



DETAIL "A"

## NOTES

- 1- FOR TYPE OF LIGHTING FIXTURE, MOUNTING ELEVATION, etc. SEE RELEVANT LIGHTING LAYOUT DRAWINGS.
- 2- TO BE WELDED TO STEEL STRUCTURE IN FIELD.
- 3- FOR INSTALLATION OF CONDUIT SUPPORT, REFER TO DWG. EL-319-2
- 4- ALL DIMENSIONS ARE IN MILLIMETERS.

No.	DESCRIPTION	QTY.
1	FLEXIBLE FITTING-1000mm LENGTH	1- EA
2	BOLT & NUT WITH 1- SPRING WASHER AND 2- FLAT WASHERS FOR FIXTURE	4- SETS
3	FIXTURE SUPPORT (L-100x50x6)	1- EA
4	MOUNTING PLATE (200x200x6)	1- EA
5	RIGID STEEL CONDUIT-20mm DIA.	
6	UNISTRUT CHANNEL	
7	UNISTRUT CLAMP	
8	BOLT & NUT WITH 1- SPRING WASHER AND 2- FLAT WASHERS FOR BOX	4- SETS
9	BALLAST BOX SUPPORT (L-50x50x6)	
10	SEALING FITTING	3- EA
11	UNION COUPLING	1- EA
12	SHORT NIPPLE	1- EA

REV	DESCRIPTION	DATE
C		
B		
A		

IRANIAN PETROLEUM STANDARDS   
 NO REVISION PERMITTED UNLESS APPROVED BY STANDARD ORGANIZATION

REFERENCE DRAWING  
 LIGHTING INSTALLATION DETAILS  
 "CATEGORY 300"  
**FLOODLIGHTING FIXTURE**  
 (MOUNTED ON STEEL STRUCTURE)

DATE	DRAWING No.	SHEET	REV.
	IPS - D - EL - 312	1	1