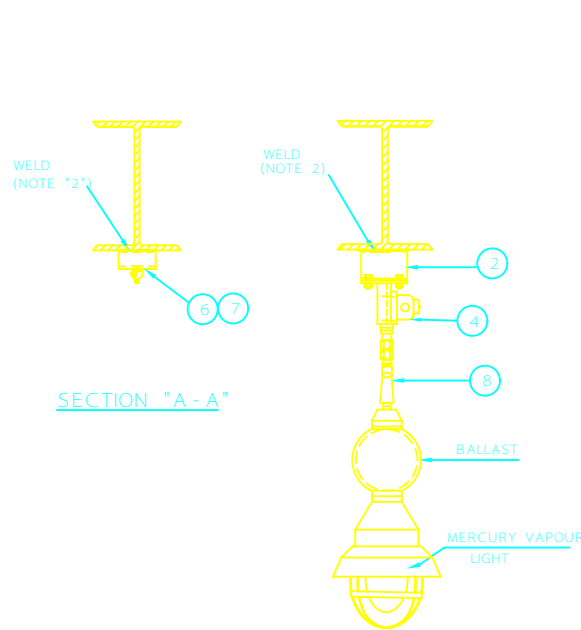
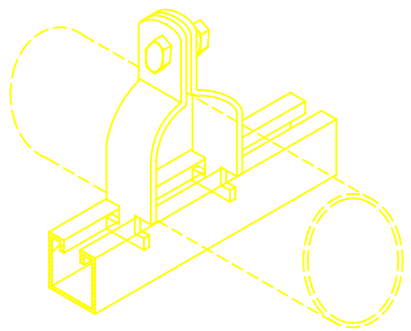


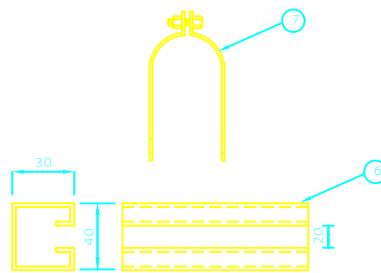
FRONT VIEW



SECTION "B - B"



ISOMETRIC VIEW OF UNISTRUT CHANNEL & CLAMP



DETAIL "A"

NOTES

- 1- FOR TYPE OF LIGHTING FIXTURE, MOUNTING ELEVATION SEE RELEVANT LIGHTING LAYOUT DRAWINGS.
- 2- TO BE WELDED TO STEEL BEAM IN FIELD.
- 3- FOR INSTALLATION OF CONDUIT SUPPORT, REFER TO DWG. EL-319-2.
- 4- FOR INSTALLATION OF JUNCTION BOX, REFER TO DWG. EL-320-2.
- 5- ALL DIMENSIONS ARE IN MILLIMETERS.

No.	DESCRIPTION	QTY.
1	UNION COUPLING	1-EA
2	JUNCTION BOX SUPPORT (I-60x30x6)	1-EA
3	BOLT & NUT WITH 1-SPRING WASHER AND 2-FLAT WASHERS	4-SETS
4	JUNCTION BOX (3WAY)	1-EA
5	RIGID STEEL CONDUIT 20mm DIA.	
6	UNISTRUT CHANNEL	
7	UNISTRUT CLAMP	
8	SEALING FITTING	1-EA

REV	DESCRIPTION	DATE
C		
B		
A		

IRANIAN PETROLEUM STANDARDS 

NO REVISION PERMITTED UNLESS APPROVED BY STANDARD ORGANIZATION

REFERENCE DRAWING
LIGHTING INSTALLATION DETAILS
"CATEGORY 300"
MERCURY VAPOR LIGHTING FIXTURE
(MOUNTED ON STEEL BEAM)

DATE	DRAWING No.	SHEET	REV.
	IPS - D - EL - 309	1	1