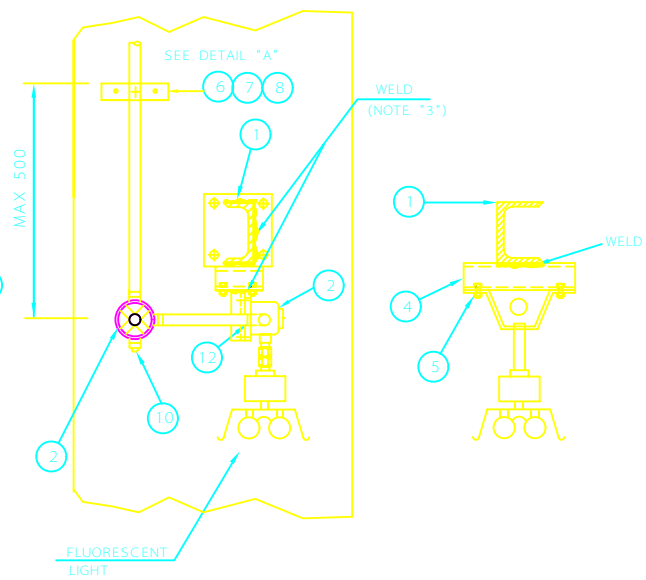
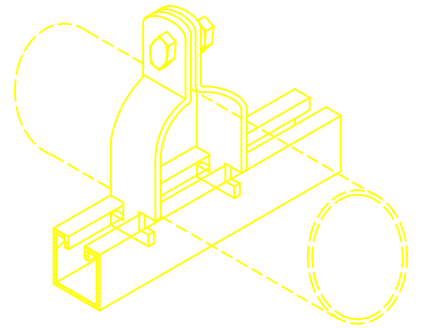


FRONT VIEW

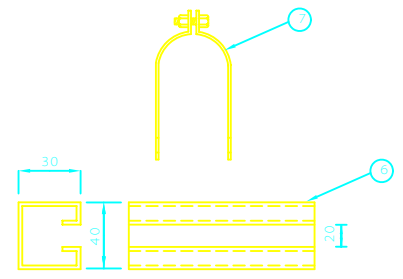


SECTION A - A

SECTION B - B



ISOMETRIC VIEW OF UNISTRUT CHANNEL & CLAMP



DETAIL "A"

NOTES

- 1- FOR TYPE OF LIGHTING FIXTURE, CABLE RUN, etc. SEE RELEVANT LIGHTING LAYOUT DRAWINGS.
- 2- FOR CONDUIT SUPPORT, REFER TO DWG. EL-319-2
- 3- TO BE WELDED TO EMBEDDED PLATE IN FIELD OR BOLTED WITH MASONRY ANCHOR.
- 4- FOR INSTALLATION OF JUNCTION BOX, REFER TO DWG. EL-320-1 & EL-320-2
- 5- ALL DIMENSIONS ARE IN MILLIMETERS

No.	DESCRIPTION	QTY.
1	SUPPORT (L-100x50x6)	1-EA
2	JUNCTION BOX (3-WAY)	2-EA
3	JUNCTION BOX SUPPORT (L-60x30x6)	1-EA
4	FIXTURE SUPPORT (L-60x30x6)	1-EA
5	BOLT & NUT WITH 1-SPRING WASHER AND 2-FLAT WASHERS FOR FIXTURE	6-SETS
6	UNISTRUT CHANNEL	
7	UNISTRUT CLAMP	
8	MASONRY ANCHOR M6	
9	RIGID STEEL CONDUIT 20mm. DIA.	
10	BLIND PLUG	1-EA
11	UNION COUPLING	1-EA
12	ELBOW	1-EA

REV	DESCRIPTION	DATE
C		
B		
A		

IRANIAN PETROLEUM STANDARDS
 NO REVISION PERMITTED UNLESS APPROVED BY STANDARD ORGANIZATION

REFERENCE DRAWING
 LIGHTING INSTALLATION DETAILS
 "CATEGORY 300"
 FLUORESCENT LIGHTING FIXTURE
 (MOUNTED ON CONCRETE STRUCTURE)

DATE	DRAWING No.	SHEET	REV.
	IPS - D - EL - 306	1	1