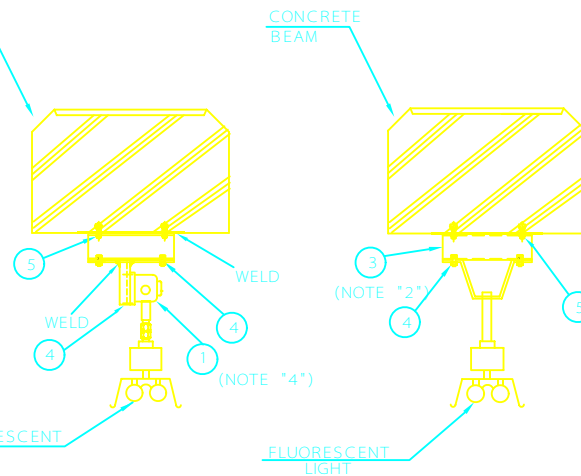
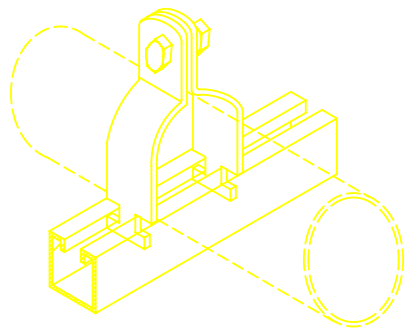


FRONT VIEW

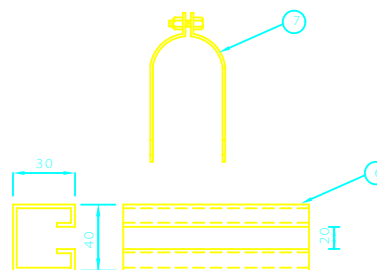


SECTION A-A

SECTION B-B



ISOMETRIC VIEW OF UNISTRUT CHANNEL & CLAMP



DETAIL "A"

## NOTES

- 1- FOR TYPE OF LIGHTING FIXTURE, MOUNTING ELEVATION, etc. SEE RELEVANT LIGHTING LAYOUT DRAWINGS.
- 2- JUNCTION BOX TO BE WELDED TO EMBEDDED PLATE OR FIXED WITH MASONRY ANCHOR
- 3- FOR SUPPORTING OF CONDUIT REFER TO DWG. EL-319-2
- 4- FOR INSTALLATION OF JUNCTION BOX, REFER TO DWG. EL-320-2
- 5- THE JUNCTION BOX AND FIXTURE MAY BE MOUNTED DIRECTLY TO THE BEAM WITHOUT SUPPORT.
- 6- ALL DIMENSIONS ARE IN MILLIMETERS

No.	DESCRIPTION	QTY.
1	JUNCTION BOX (3 WAY)	1-EA
2	JUNCTION BOX SUPPORT (L-60x30x6)	1-EA
3	FIXTURE SUPPORT (L-60x30x6)	1-EA
4	BOLT & NUT WITH 1-SPRING WASHER AND 2-FLAT WASHERS FOR FIXTURE	6-SETS
5	MASONRY ANCHOR	
6	UNISTRUT CHANNEL	
7	UNISTRUT CLAMP	
8	RIGID STEEL CONDUIT 20mm DIA.	
9	UNION COUPLING	2-EA

REV	DESCRIPTION	DATE

IRANIAN PETROLEUM STANDARDS 

NO REVISION PERMITTED UNLESS APPROVED BY STANDARD ORGANIZATION

REFERENCE DRAWING  
LIGHTING INSTALLATION DETAILS  
"CATEGORY 300"  
FLUORESCENT LIGHTING FIXTURE  
(MOUNTED ON CONCRETE BEAM)

DATE	DRAWING No.	SHEET	REV.
	IPS - D - EL - 305	1	1