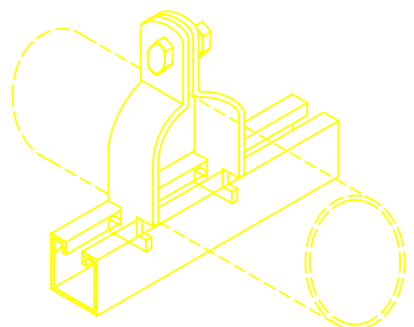


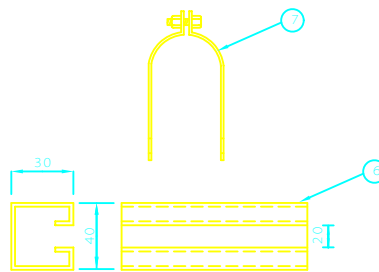
SECTION A-A

FRONT VIEW

SECTION B-B



ISOMETRIC VIEW OF
UNISTRUT CHANNEL & CLAMP



DETAIL "A"

NOTES

- 1- FOR TYPE OF LIGHTING FIXTURE, MOUNTING ELEVATION, etc. SEE LIGHTING LAYOUT DRAWINGS.
- 2- TO BE WELDED TO STEEL BEAM IN FIELD.
- 3- FOR SUPPORTING CONDUIT REFER TO DWG. EL-319-2
- 4- FOR INSTALLATION OF JUNCTION BOX, REFER TO DWG. EL-320-1 & EL-320-2
- 5- ALL DIMENSIONS ARE IN MILLIMETERS

No.	DESCRIPTION	QTY.
1	JUNCTION BOX (3 WAY)	1-EA
2	JUNCTION BOX SUPPORT (L-60x30x6)	1-EA
3	FIXTURE SUPPORT (L-60x30x6)	1-EA
4	BOLT & NUT WITH 1-SPRING WASHER AND 2-FLAT WASHERS FOR FIXTURE	6-SETS
5	RIGID STEEL CONDUIT 20mm. DIA.	
6	UNISTRUT CHANNEL	
7	UNISTRUT CLAMP	
8	UNION COUPLING	2-EA

REV	DESCRIPTION	DATE
C		
B		
A		

IRANIAN PETROLEUM STANDARDS 
NO REVISION PERMITTED UNLESS APPROVED BY STANDARD ORGANIZATION

REFERENCE DRAWING
LIGHTING INSTALLATION DETAILS
"CATEGORY 300"
FLUORESCENT LIGHTING FIXTURE
(MOUNTED ON STEEL BEAM)

DATE	DRAWING No.	SHEET	REV.
	IPS-D-EL-303	1	1