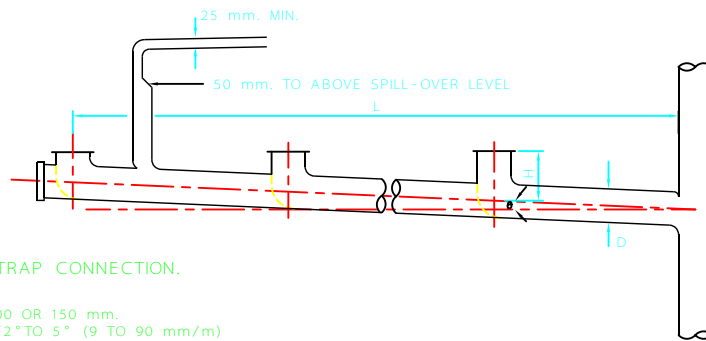


OPPOSED APPLIANCES; PLAN VIEWS

(a) SINGLE APPLIANCES



(b) "S" TRAP CONNECTION.

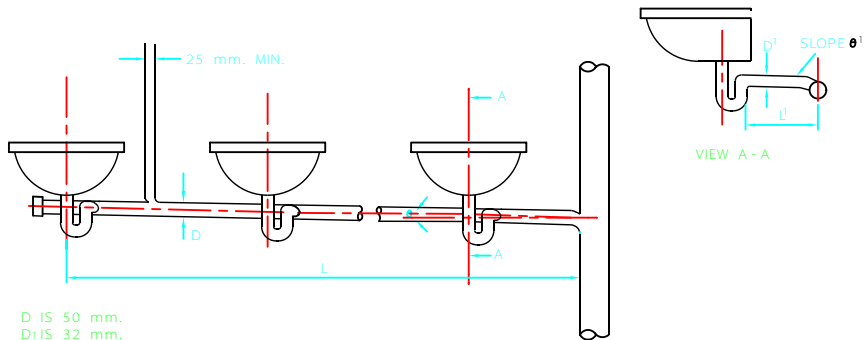
D ID 100 OR 150 mm.  
 $\theta$  IS 1/2° TO 5° (9 TO 90 mm/m)  
 L < 15 m.  
 H < 1.5 m.  
 WC TRAP OF 50 mm. SEAL DEPTH

NOTE: ANY ADDITIONAL BENDS SHOULD BE OF LARGE RADIUS. FOR MORE THAN 8 WCs IN A RANGE, OR WITH MORE THAN TWO BENDS IN THE MAIN BRANCH PIPE, A 25 mm VENTILATING PIPE SHOULD BE USED AS SHOWN. SEE ALSO DWG No. IPS-D-CE-501 FOR BRANCH CONNECTIONS TO STACK.

REFERENCES: THIS DRAWING IS REFERRED TO IN CLAUSE 6.2.3.1. OF IPS-E-CE-390

BRANCH DISCHARGE PIPES FOR RANGES OF WCs

C			IRANIAN PETROLEUM STANDARDS			
B			NO REVISION PERMITTED UNLESS APPROVED BY STANDARD ORGANIZATION			
A			BRANCH DISCHARGE	DATE	DRAWING No.	SHT/REV.
REV	DESCRIPTION	DATE	PIPES TO RANGES OF APPLIANCES		IPS-D-CE-503	1/2

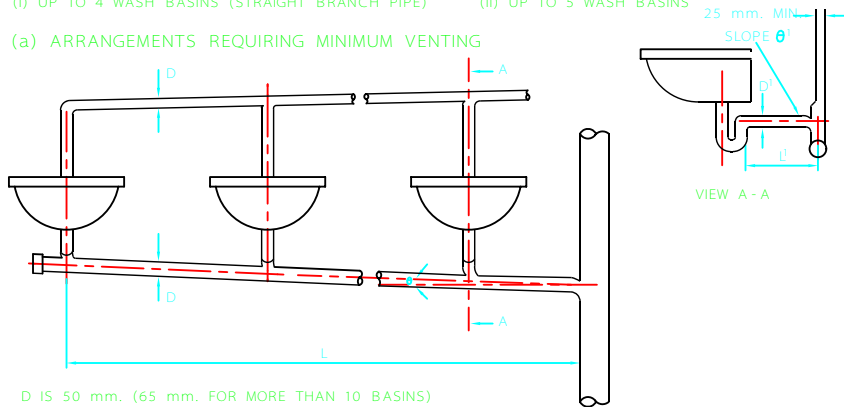


D IS 50 mm.  
 D<sub>1</sub> IS 32 mm.  
 $\theta$  IS 1° TO 2 1/2° (18 TO 45 mm./m.)  
 $\theta^1$  IS 1° TO 2 1/2° (18 TO 45 mm./m.)  
 L<sup>1</sup> IS 0.75 m (MAX.)  
 TRAP OF 75 mm. SEAL DEPTH AND 32 mm. DIAMETER  
 L IS 4 m. (MAX.)  
 NO BENDS IN MAIN BRANCH PIPES  
 NO VENTILATING PIPE REQUIRED

L IS 7 m. (MAX.)  
 UP TO 2 BENDS (75 mm. MIN. RADIUS TO C/L)  
 MAY BE USED IN MAIN BRANCH PIPE.  
 25 mm VENTILATING PIPE REQUIRED AS SHOWN

- (i) UP TO 4 WASH BASINS (STRAIGHT BRANCH PIPE)      (ii) UP TO 5 WASH BASINS

(a) ARRANGEMENTS REQUIRING MINIMUM VENTING



D IS 50 mm. (65 mm. FOR MORE THAN 10 BASINS)  
 D<sub>1</sub> IS 32 mm.  
 $\theta$  IS 1° TO 2 1/2° (18 TO 45 mm./m.)  
 $\theta^1$  IS 1° TO 2 1/2° (18 TO 45 mm./m.)  
 L IS 10 m. (MAX.)  
 L<sup>1</sup> IS 0.75 m. (MAX.)  
 TRAP OF 75 mm. SEAL DEPTH AND 32 mm. DIAMETER, 25 mm. VENTILATING PIPES REQUIRED AS SHOWN  
 ANY ADDITIONAL BENDS IN THE HORIZONTAL PLANE SHOULD BE OF LARGE RADIUS; SWEEP JUNCTIONS TO BE USED

(b) ARRANGEMENTS REQUIRING VENTING (FOR UP TO 10 WASH BASINS)

NOTE: SEE ALSO DWG. No. IPS-D-CE-501 FOR BRANCH CONNECTION TO STACK.

BRANCH DISCHARGE PIPES FOR RANGES OF WASH BASINS

C			IRANIAN PETROLEUM STANDARDS 			
B			NO REVISION PERMITTED UNLESS APPROVED BY STANDARD ORGANIZATION			
A			BRANCH DISCHARGE	DATE	DRAWING No.	SHT/REV.
REV	DESCRIPTION	DATE	PIPES TO RANGES OF APPLIANCES		IPS-D-CE-503	2/2