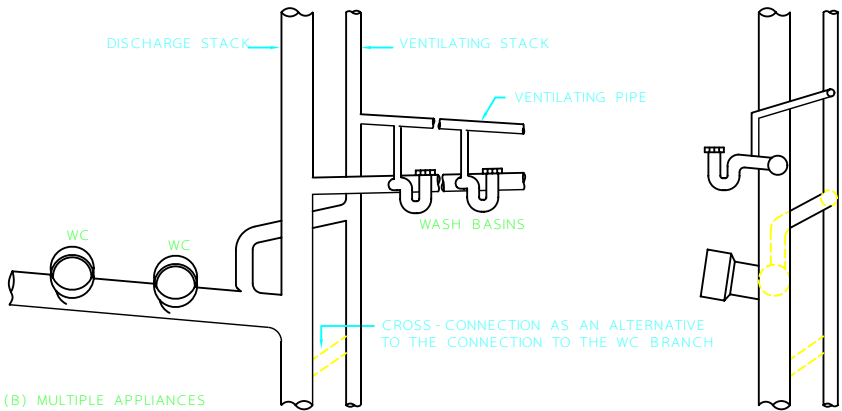


(A) SINGLE APPLIANCES



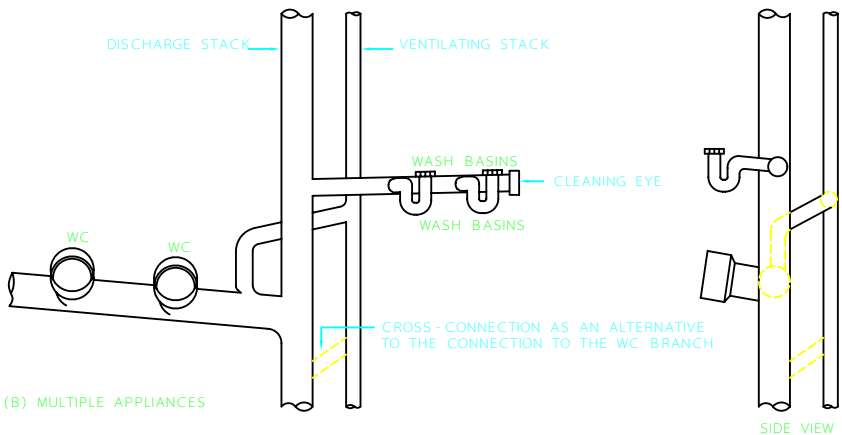
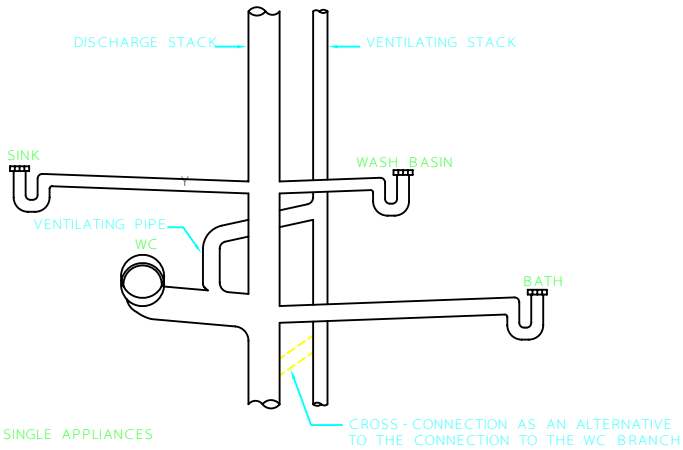
(B) MULTIPLE APPLIANCES

VENTILATED SYSTEM FOR ALL APPLIANCES (DIAGRAMMATIC)

NOTE: FOR USE IN SITUATIONS WHERE THERE ARE LARGE NUMBERS OF SANITARY APPLIANCES IN RANGES OR WHERE THEY HAVE TO BE WIDELY DISPERSED AND IT IS IMPRACTICABLE TO PROVIDE DISCHARGE STACKS IN CLOSE PROXIMITY TO THE APPLIANCES.


REFERENCE: ALL THESE SHEETS OF THIS DRAWING IS REFERRED TO IN CLAUSE 4.5 OF PART TWO OF IPS-E-CE-390

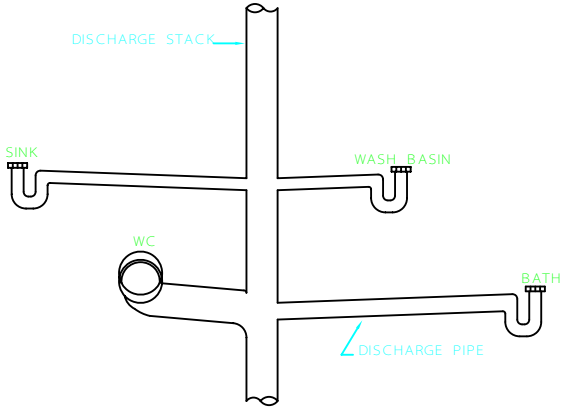
C			IRANIAN PETROLEUM STANDARDS 			
B			NO REVISION PERMITTED UNLESS APPROVED BY STANDARD ORGANIZATION			
A			DATE	DRAWING No.	SHT	REV.
REV	DESCRIPTION	DATE	CLASSIFICATION OF SANITARY DRAIN SYSTEMS		IPS-D-CE-500	1/3



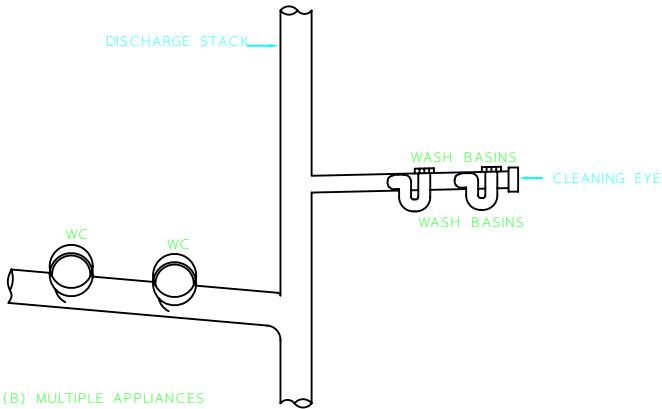
VENTILATED STACK SYSTEM FOR N.C. ONLY (DIAGRAMMATIC)

NOTE: FOR USE IN SITUATIONS WHERE CLOSE GROUPING OF APPLIANCES MAKES IT PRACTICABLE TO PROVIDE BRANCH DISCHARGE PIPES WITHOUT THE NEED FOR BRANCH VENTILATING PIPES.

C			IRANIAN PETROLEUM STANDARDS 			
B			NO REVISION PERMITTED UNLESS APPROVED BY STANDARD ORGANIZATION			
A			DATE	DRAWING No.	SHT/REV.	
REV	DESCRIPTION	DATE		IPS-D-CE-500	2	3
			CLASSIFICATION OF SANITARY DRAIN SYSTEMS			



(A) SINGLE APPLIANCES




(B) MULTIPLE APPLIANCES

SIDE VIEW

SINGLE STACK SYSTEM WITH NO VENTILATING STACK

NOTE: FOR USE IN SITUATIONS DESCRIBED IN THE NOTE (1) OF SHEET 2/3 , BUT WHERE THE DISCHARGE STACK IS LARGE ENOUGH TO LIMIT PRESSURE FLUCTUATIONS WITHOUT THE NEED FOR A VENTILATING STACK.

C			IRANIAN PETROLEUM STANDARDS 			
B			NO REVISION PERMITTED UNLESS APPROVED BY STANDARD ORGANIZATION			
A				DATE	DRAWING No.	SHT/REV.
REV	DESCRIPTION	DATE	CLASSIFICATION OF SANITARY DRAIN SYSTEMS		IPS-D-CE-500	3/3