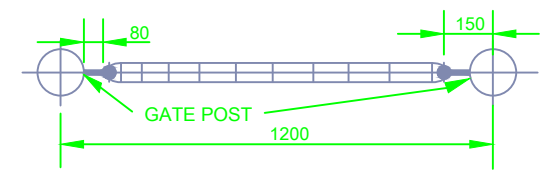
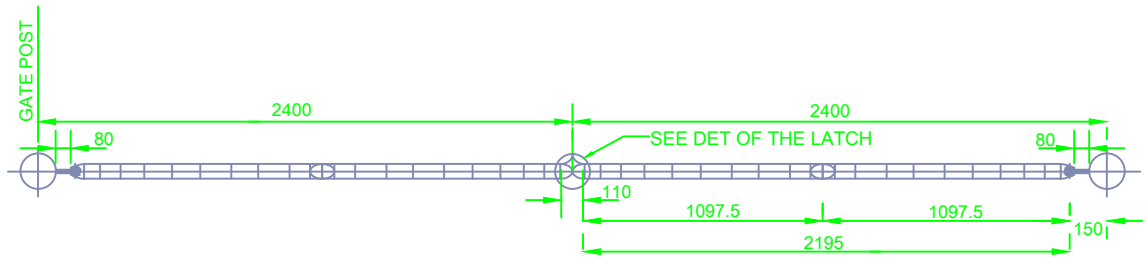
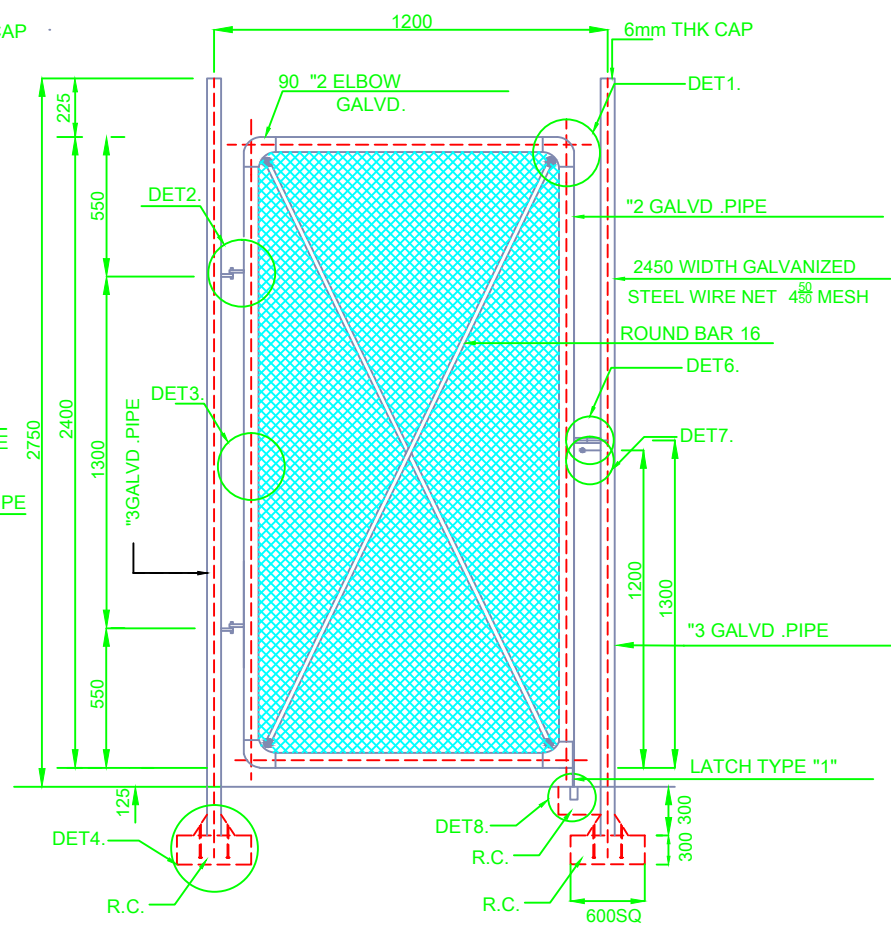
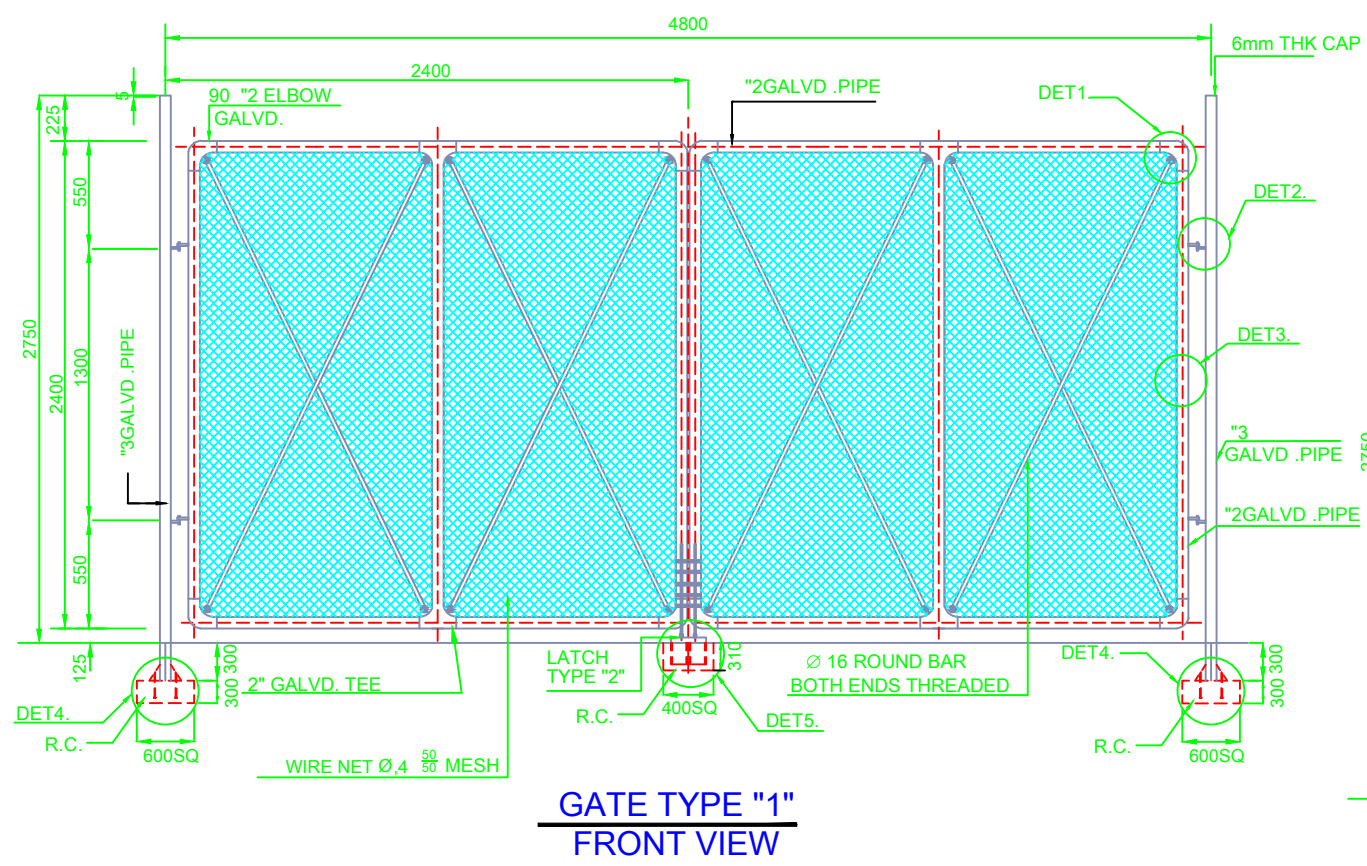


**NOTES**

1. ALL DIMENSIONS ARE IN MILLIMETER
  2. OWNERS GENERAL SPECIFICATION FOR CIVIL WORKS APPLIES
  3. THE HORIZONTAL ARM OF SLIDING DROP BOLTS WHEN DRAWN UP FOR OPENING OF GATES SHOULD REST ON A PIECE OF FLAT BAR WELDED TO BOTH GATES (PEDESTRAIN & VEHICLE ) AT CORRECT POINT
  4. AN APPROVED LOCK (MOVABLE ITEM) SHOULD BE PROVIDED FOR EACH VEHICLE GATE
  5. CONCRETE & REINFORCEMENT FOR GATE FENCE FOUNDATIONS (CONCRETE BLOCKS) SHOULD BE DECIDED BY (AR)
- ABBREVIATIONS
1. GALVD. = GALVANIZED
  2. SQ. = SQUARE
  3. R.C. = REINFORCED CONCRETE
  4. DET. = DETAIL
  5. AR. = AUTHORIZED REPRESENTATIVE

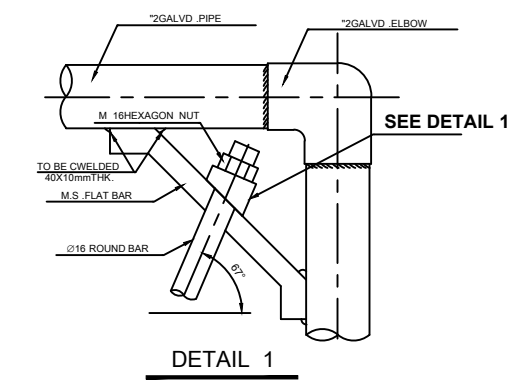


REV.	DESCRIPTION	PREP.	DATE	CH.	DATE	APP.	DATE

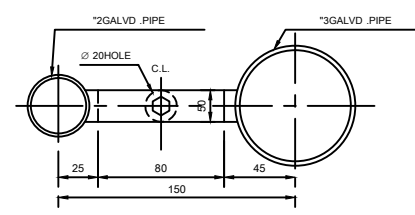
**IRANIAN PETROLEUM STANDARDS**

**TITLE: TYPICAL CHAINLINK GATES**  
(4.80 & 1.20 METER WIDE)

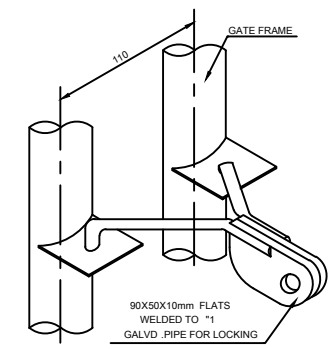
DATE	DRAWING NO.	SHEET	REV.
	IPS-D-CE-303	1	2



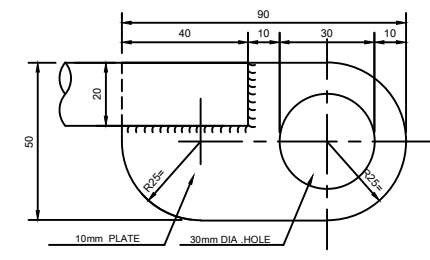
DETAIL 1



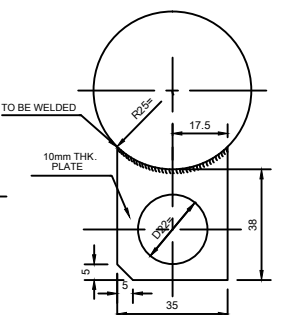
DETAIL 2  
TOP VIEW OF HANGE



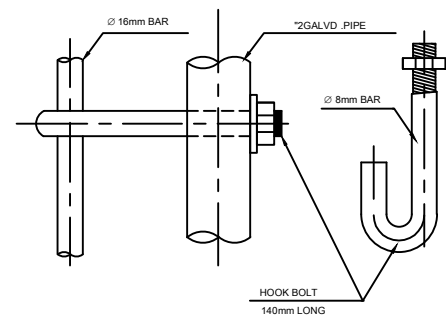
LOCKING DEVICE  
ISOMETRIC



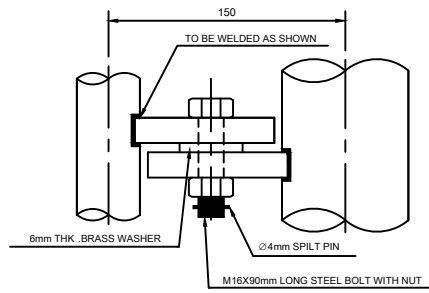
DETAIL 9



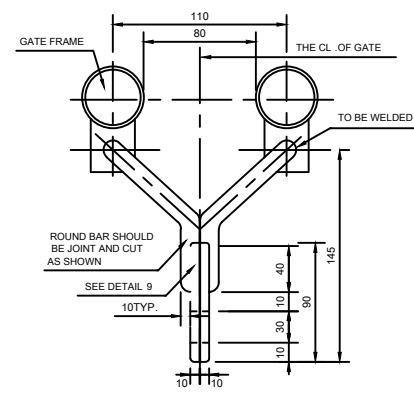
DETAIL 11  
SEE DET. OF LATCH



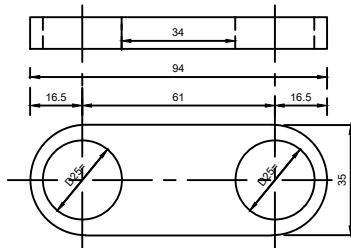
DETAIL 3



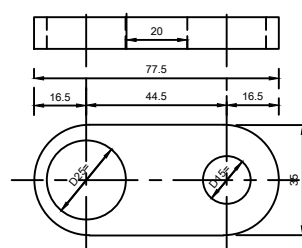
DETAIL 2  
SIDE VIEW OF HANGE



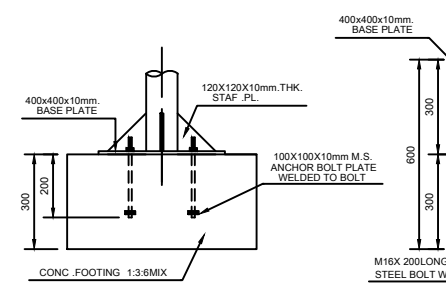
LOCKING DEVICE  
TOP VIEW



DETAIL 14  
FIXED PART (SEE DET) 7.

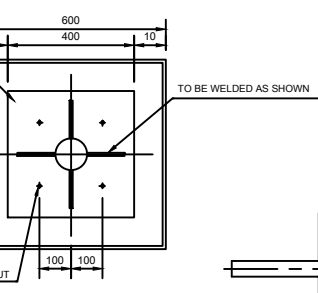


DETAIL 15  
ROTARY PART (SEE DET) 7.

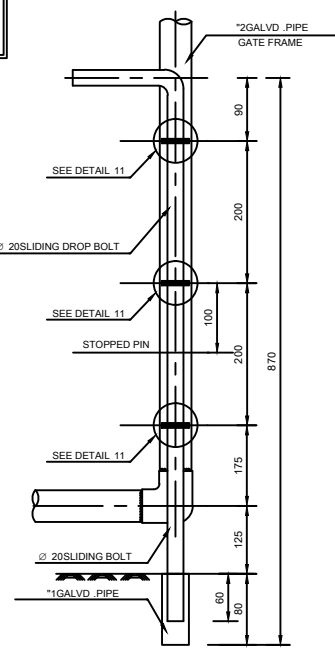


SECTIONAL VIEW

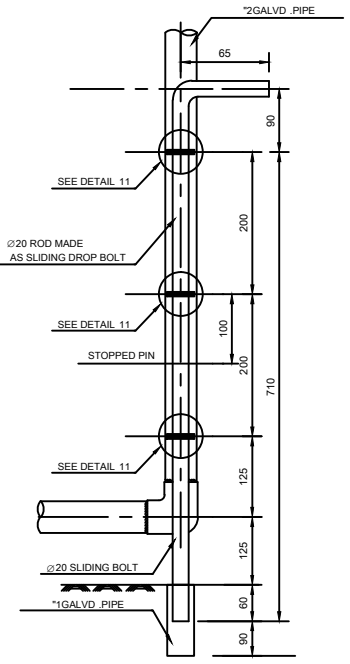
DETAIL 4



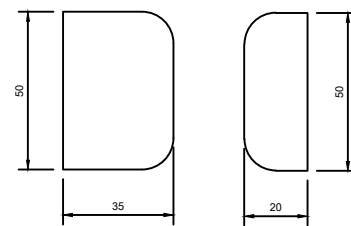
PLAN



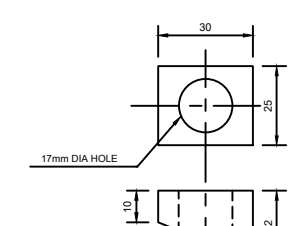
DETAIL OF THE LATCH  
TYPE "1"



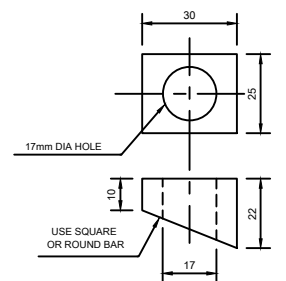
DETAIL OF THE LATCH  
TYPE "2"



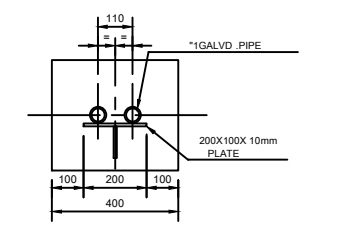
DETAIL 12  
SEE DET 6.



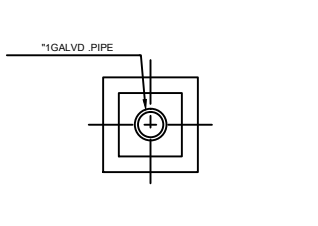
DETAIL 13  
SEE DET 6.



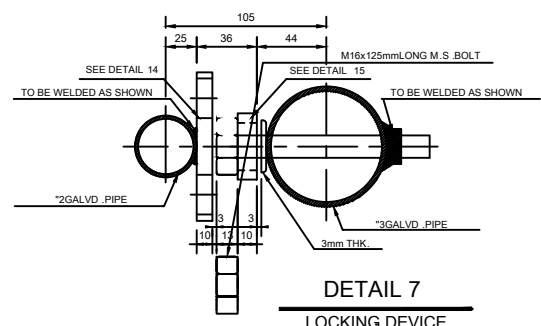
DETAIL 10  
(SEE DET) 1.



DETAIL 5  
PLAN



DETAIL 8  
PLAN



DETAIL 7  
LOCKING DEVICE

NOTES

1. ALL DIMENSIONS ARE IN MILLIMETER
2. OWNERS GENERAL SPECIFICATION FOR CIVIL WORKS APPLIES
3. THE HORIZONTAL ARM OF SLIDING DROP BOLTS WHEN DRAWN UP FOR OPENING OF GATES SHOULD REST ON A PIECE OF FLAT BAR WELDED TO BOTH GATES (PEDESTRAIN & VEHICLE) AT CORRECT POINT
4. AN APPROVED LOCK (MOVABLE ITEM) SHOULD BE PROVIDED FOR EACH VEHICLE GATE
5. CONCRETE & REINFORCEMENT FOR GATE FENCE FOUNDATIONS (CONCRETE BLOCKS) SHOULD BE DECIDED BY (AR)

ABBREVIATIONS

1. M.S. = METAL STEEL
2. SQ. = SQUARE
3. R.C. = REINFORCED CONCRETE
4. DET. = DETAIL
5. AR. = AUTHORIZED REPRESENTATIVE
6. C.L. = CENTER LINE
7. GALVD. = GALVANIZED

REV.	DESCRIPTION	PREP.	DATE	CH.	DATE	APP.	DATE

IRANIAN PETROLEUM STANDARDS

TITLE: TYPICAL CHAINLINK GATES  
(4.80 & 1.20 METER WIDE)

DATE	DRAWING NO.	SHEET	REV.
	IPS-D-CE-303	2	2