

NOTES

1. ALL DIMENSIONS AND QUANTITIES TO BE CHECKED BY CONTRACTOR
2. ALL DIMENSIONS ARE IN Cm UNLESS OTHERWISE NOTED
3. ALL PIPES, PLATES AND OTHER STEEL PARTS EXCEPT CHAIN LINK TO BE PAINTED ALUMINIUM AS PER STD.SPECS
4. WHERE F.G.L. IS SLOPED TOP OF CONC FOUND AND HORIZONTAL RAILINGS SHALL BE PARALLEL TO F.G.L
5. FLAT BARS USED FOR INSTALLATION OF CHAIN LINK FENCE TO BE FIXED TO RAILING AND POSTS TEMPORARILLY , THEN DRILLED SIMULTANEOUSLY AND BOLTED
6. M6(1/4") BOLTS, WASHERS AND NUTS SHALL BE GALVD . THROUGHOUT
7. TENSILE STRENGTH OF WIRES SHALL NOT BE LESS THAN 3800 kg/cm²
8. CONCRETE & REINFORCEMENT FOR POST FOUNDATION & WALLS UNDER THE FENCE SHOULD BE DECIDED BY AUTHORIZED REPRESENTATIVE OF THE OWNER (AR).

ABBREVIATIONS

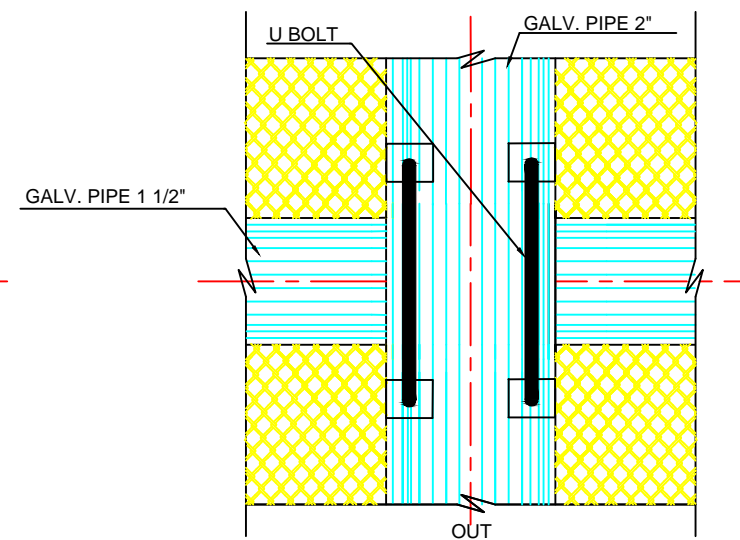
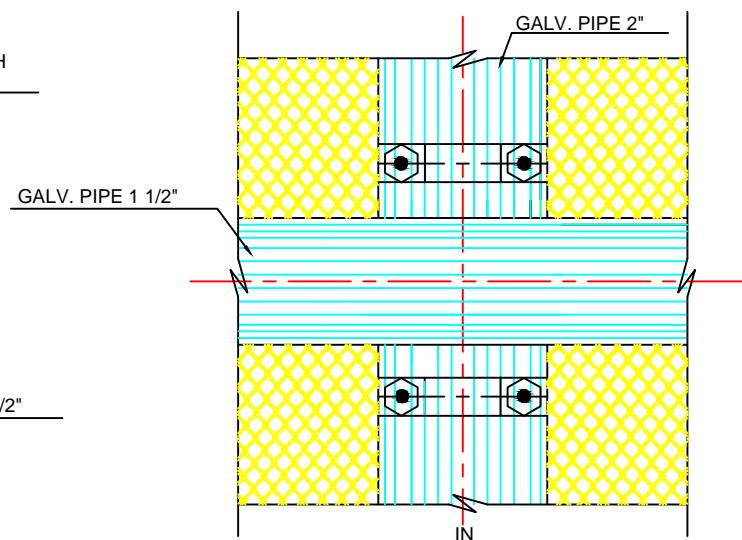
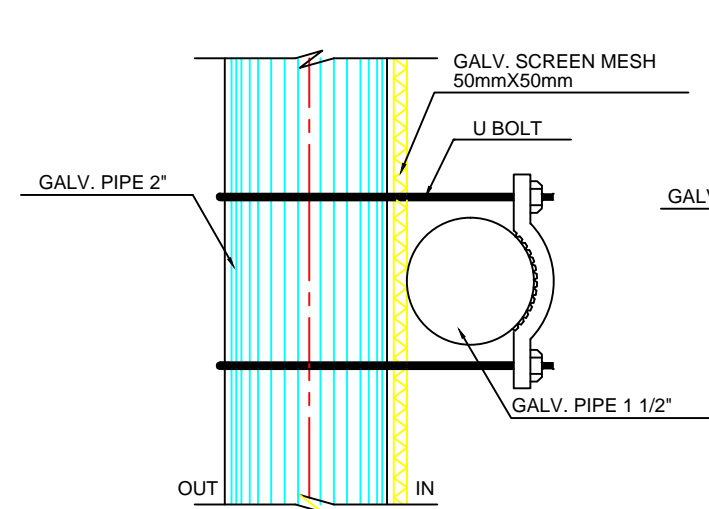
1. M.S. = METAL STEEL
2. GALVD. = GALVANIZED
3. R.C. = REINFORCED CONCRETE
4. FOUND. = FOUNDATION
5. DET. =DETAIL
6. G.L. =GROUND LEVEL
7. AR. =AUTHORIZED REPRESENTATIVE

REV.	DESCRIPTION	PREP.	DATE	CH.	DATE	APP.	DATE

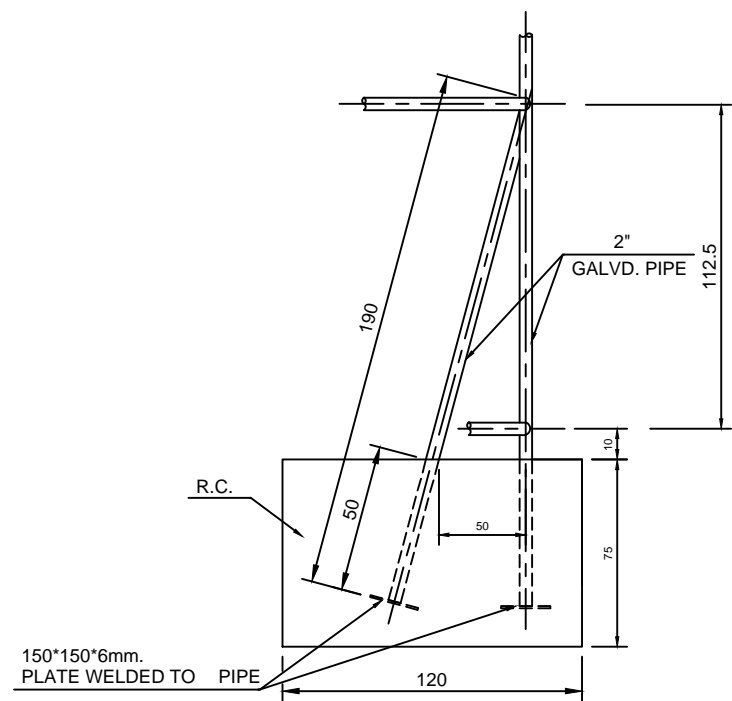

IRANIAN PETROLEUM STANDARDS

TITLE: **TYPICAL CHAIN LINK FENCING**
 TYPE 1

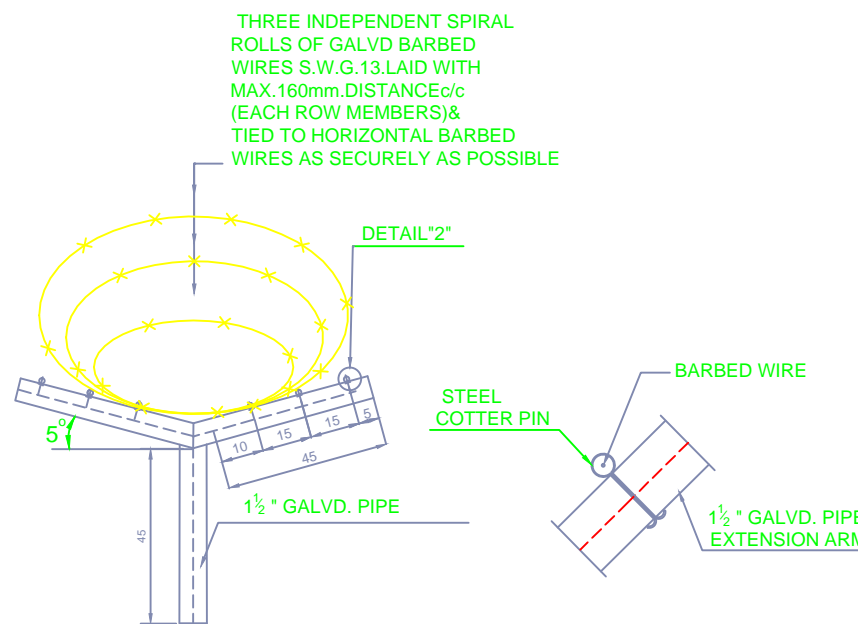
DATE	DRAWING NO.	SHEET	REV.
	IPS-D-CE-300	1	2



DETAIL "4"



STRUTS DETAIL



DETAIL "1"

DETAIL "2"

NOTES

1. ALL DIMENSIONS AND QUANTITIES TO BE CHECKED BY CONTRACTOR
2. ALL DIMENSIONS ARE IN Cm UNLESS OTHERWISE NOTED
3. ALL PIPES, PLATES AND OTHER STEEL PARTS EXCEPT CHAIN LINK TO BE PAINTED ALUMINIUM AS PER STD.SPECS
4. WHERE F.G.L. IS SLOPED TOP OF CONC FOUND AND HORIZONTAL RAILINGS SHALL BE PARALLEL TO F.G.L
5. FLAT BARS USED FOR INSTALLATION OF CHAIN LINK FENCE TO BE FIXED TO RAILING AND POSTS TEMPORARILLY , THEN DRILLED SIMULTANEOUSLY AND BOLTED
6. M6(1/4") BOLTS, WASHERS AND NUTS SHALL BE GALVD . THROUGHOUT
7. TENSILE STRENGTH OF WIRES SHALL NOT BE LESS THAN 3800 kg/cm²
8. CONCRETE & REINFORCEMENT FOR POST FOUNDATION & WALLS UNDER THE FENCE SHOULD BE DECIDED BY AUTHORIZED REPRESENTATIVE OF THE OWNER (AR).

ABBREVIATIONS

1. M.S. = METAL STEEL
2. GALVD. = GALVANIZED
3. R.C. = REINFORCED CONCRETE
4. FOUND. = FOUNDATION
5. DET. =DETAIL
6. G.L. =GROUND LEVEL
7. AR. =AUTHORIZED REPRESENTATIVE

REV.	DESCRIPTION	PREP.	DATE	CHK.	DATE	APP.	DATE


IRANIAN PETROLEUM STANDARDS
 TITLE: **TYPICAL CHAIN LINK FENCING**
 TYPE 1

DATE	DRAWING NO.	SHEET	REV.
	IPS-D-CE-300	2	2