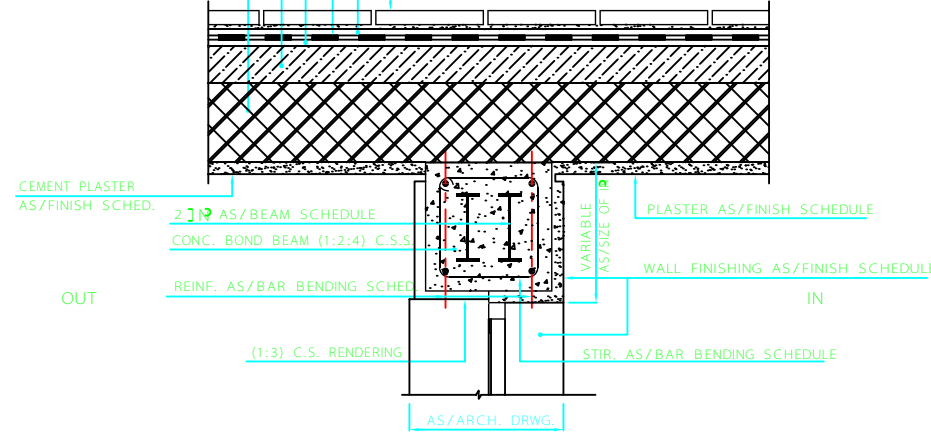
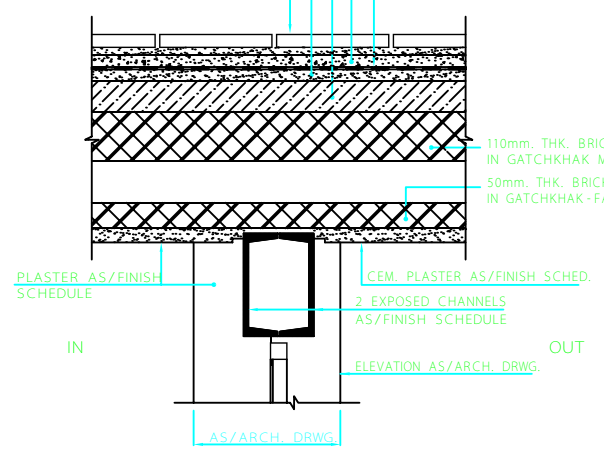


WATERPROOFING (TWO LAYERS OF HESSIAN CLOTH AND BITUMEN AS/SPEC.)
 20mm. (1:3) C.S. MORTAR SCREED
 MINERAL COKE FILLING 1.5% FALL (50mm. MIN.)
 BRICK JACKARCHING OR RIBBED SLAB WITH HOLLOW FILLER BLOCK
 250x250 TERR. TILE ON (1:3) C.S. MORTAR
 20mm. THK. WASHED SAND



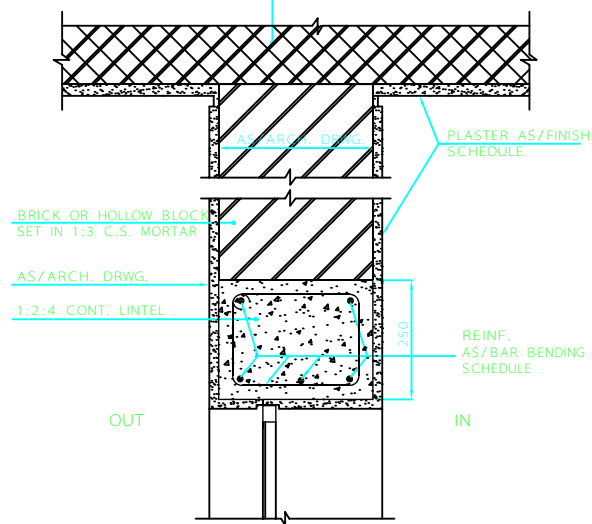
EXPOSED CONC. LINTEL

MINERAL COKE FILLING 1.5% FALL (50mm. MIN.)
 20mm. 1:3 C.S. MORTAR SCREED
 250x250mm. TERR. TILE SET IN (1:3) C.S. MORTAR
 20mm. THK. WASHED SAND
 WATERPROOFING (2 LAYERS OF HESSIAN CLOTH AND BITUMEN AS/SPEC.)
 110mm. THK. BRICK JACKARCHING SET IN GATCHKHAK MORTAR
 50mm. THK. BRICK JACKARCHING SET IN GATCHKHAK-FALSE CEILING



EXPOSED STEEL LINTEL

BRICK JACKARCHING OR RIBBED SLAB WITH HOLLOW FILLER BLOCK
 PLASTER AS/FINISH SCHEDULE



WINDOW R.C. LINTEL

NOT TO SCALE

NOTE:

- 1- ALL DIMENSIONS ARE IN MILLIMETERS UNLESS OTHERWISE STATED.
- 2- THIS DRWG. HAS TO BE READ IN CONJUNCTION WITH IPS - M - CE - 105

LEGEND:

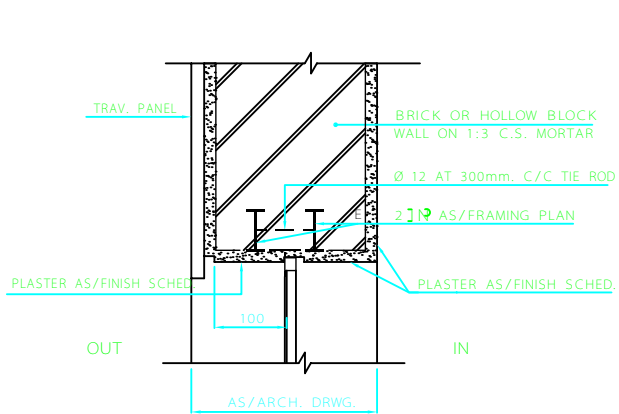
- C.S. = CEMENT,SAND MIX
- SCHED.= SCHEDULE
- THK. = THICK
- ARCH. = ARCHITECTURAL
- TRAV. = TRAVERTINE
- DRWG. = DRAWING
- J# = J BEAM, NORMAL PROFILE
- REINF. = REINFORCEMENT
- STIR. = STIRRUP

C		
B		
A		
REV	DESCRIPTION	DATE

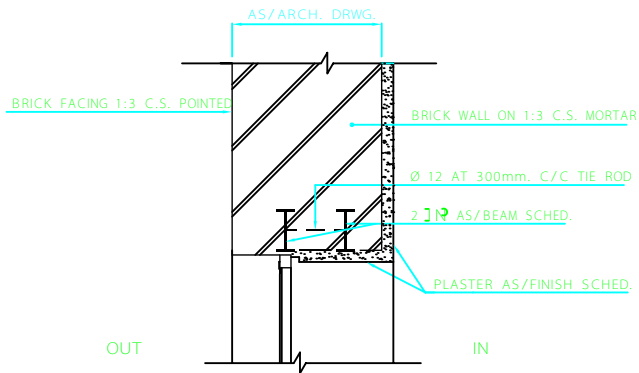
IRANIAN PETROLEUM STANDARDS
 NO REVISION PERMITTED UNLESS APPROVED BY STANDARD ORGANIZATION

DETAILS OF STEEL & R.C. LINTELS

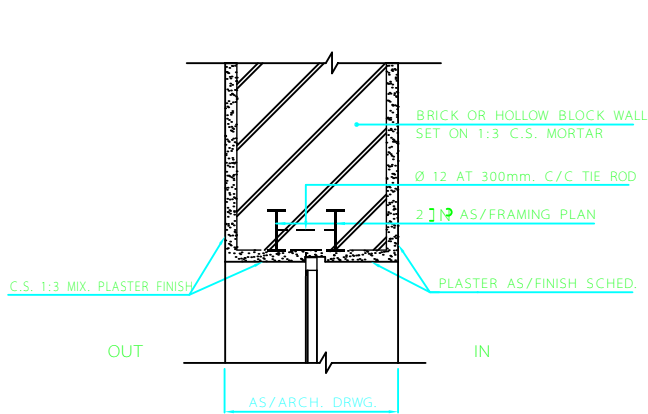
DATE	DRAWING No.	SHEET	REV.
	IPS - D - CE - 218	1/2	



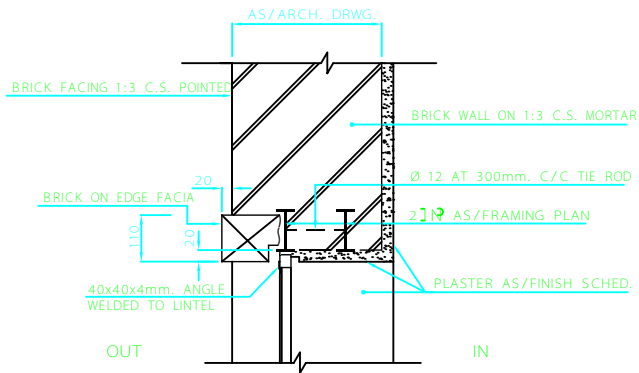
WITH TRAVERTINE PANEL AND INSIDE PLASTER FINISH



WITH POINTED WALL (OUTSIDE AND PLASTER FINISH (INSIDE



WITH PLASTER FINISHED WALLS (INSIDE & OUTSIDE)



WITH POINTED BRICK WALL AND BRICK ON EDGE FACIA

C		
B		
A		
REV	DESCRIPTION	DATE

IRANIAN PETROLEUM STANDARDS 

NO REVISION PERMITTED UNLESS APPROVED BY STANDARD ORGANIZATION

DETAILS OF STEEL & R.C. LINTELS

DATE	DRAWING No.	SHEET	REV.
	IPS - D - CE - 218	2	2

NOT TO SCALE