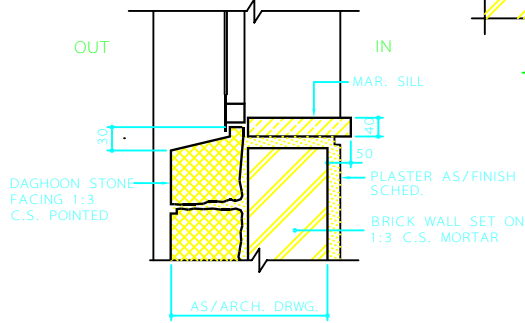
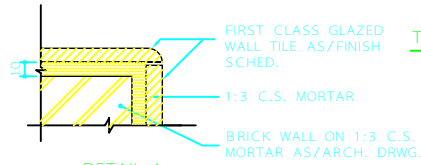
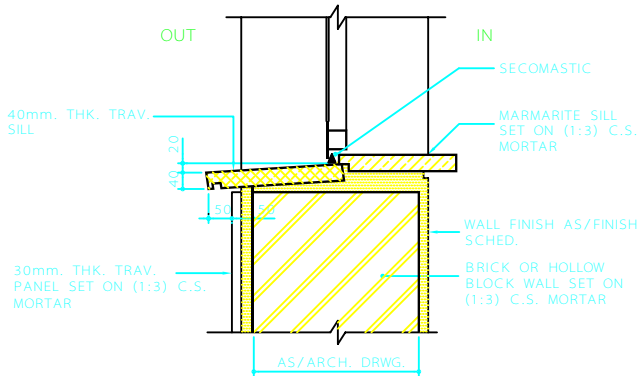


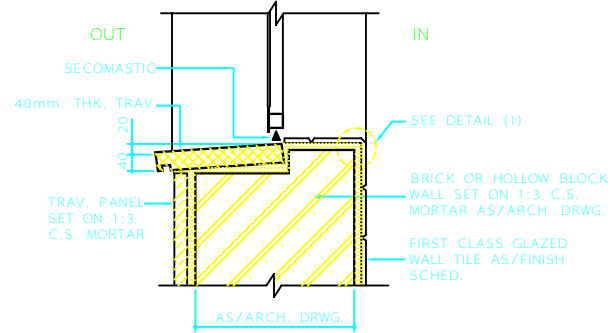
CONC. & MAR. WINDOW SILLS



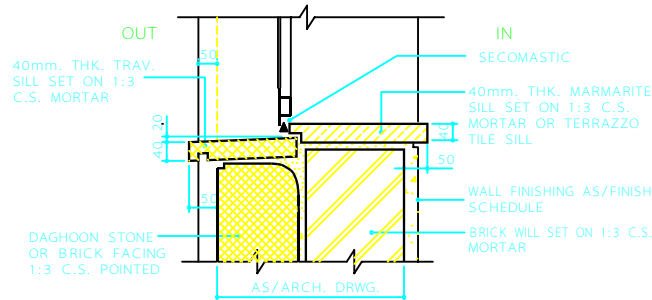
MAR. & DAGHOON STONE SILLS



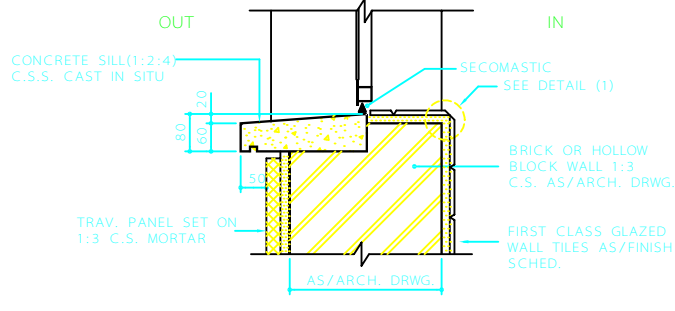
TRAV. & MAR. WINDOW SILLS (WITH TRAV. FACING)



TRAVERTINE WINDOW SILLS (AT BATHROOMS & KITCHEN)



TRAV. & MAR. WINDOW SILLS (WITH DAGHOON STONE FACING)



R.C. WINDOW SILLS (AT BATHROOMS & KITCHEN)

**NOTE:**

- 1- ALL DIMENSIONS ARE IN MILLIMETERS UNLESS OTHERWISE STATED.
- 2- THIS DRWG. HAS TO BE READ IN CONJUNCTION WITH IPS - M - CE - 105

**LEGEND:**

- C.S.G. = CEMENT, SAND, GRAVEL MIX
- CONC. = CONCRETE
- C.S. = CEMENT, SAND MIX
- THK. = THICK
- SCHED. = SCHEDULE
- ARCH. = ARCHITECTURAL
- TRAV. = TRAVERTINE
- DRWG. = DRAWING
- C.I.S. = CAST IN SITU
- MAR. = MARMARITE

C		
B		
A		
REV	DESCRIPTION	DATE

IRANIAN PETROLEUM STANDARDS   
NO REVISION PERMITTED UNLESS APPROVED BY STANDARD ORGANIZATION

**WINDOW SILLS**

DATE	DRAWING No.	SHEET	REV.
	IPS - D - CE - 216	1	1

NOT TO SCALE