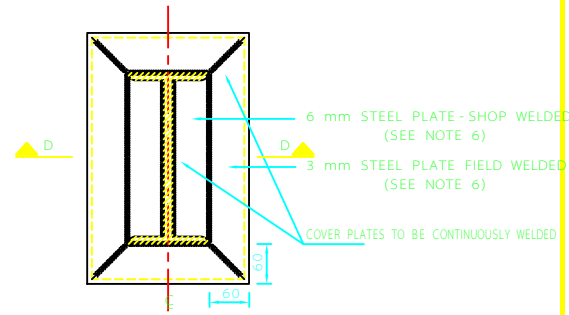
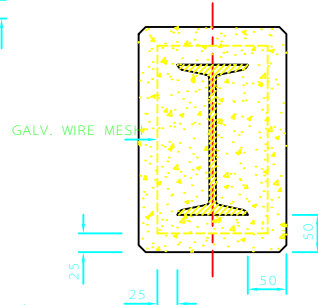


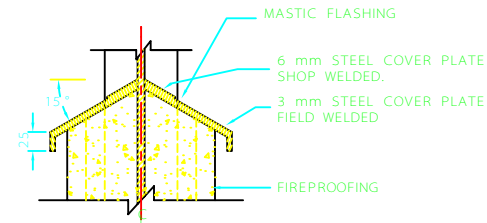
SUPPORTING BEAMS



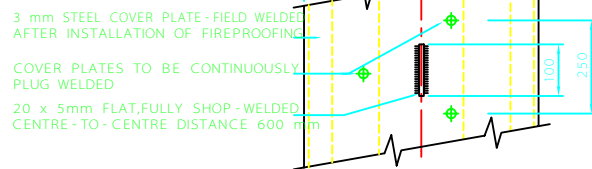
VIEW A



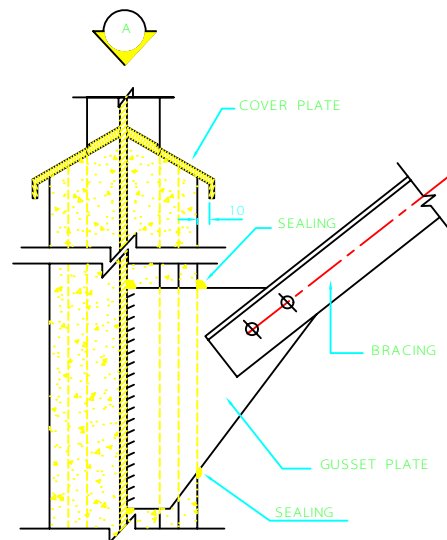
STANCHIONS



SECTION D-D



VIEW B



CONNECTION OF BRACING TO STANCHION

NOT TO SCALE

NOTES:

- 1- ALL DIMENSIONS ARE IN MILLIMETER UNLESS OTHERWISE STATED.
- 2- THE REINFORCED MESH FOR CONCRETE FIREPROOFING SHALL BE POSITIONED SO AS TO MAINTAIN A COVER OF NOT LESS THAN 25 mm AND NOT MORE THAN 30 mm. AND MESH REINFORCEMENT SHALL BE PLACED AT THE MIDPOINT OF FIREPROOFING.
- 3- GALVANIZED MILD STEEL BANDS AND BUCKLES SHALL BE NOT LESS THAN 0.6mm THICK BY 13mm WIDE.
- 4- MINERAL WOOL SHALL BE APPROVED BY THE AR.
- 5- APPLY CAULKING AT ALL EXPOSED STEEL & FIREPROOFING INTERSECTIONS.
- 6- ALL PLATES TO BE SUPPLIED BY THE MANUFACTURER OF THE STEEL STRUCTURE.

LEGEND:

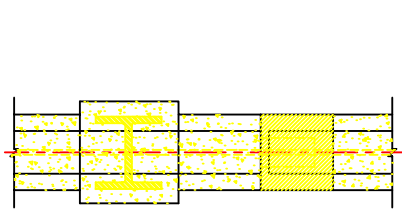
- GALV. = GALVANIZED  
H.D.BOLT = HOLDING DOWN BOLT  
AR = AUTHORIZED REPRESENTATIVE OF THE OWNER

C		
B		
A		
REV	DESCRIPTION	DATE

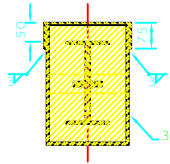
IRANIAN PETROLEUM STANDARDS   
NO REVISION PERMITTED UNLESS APPROVED BY STANDARD ORGANIZATION

FIREPROOFING  
OF STRUCTURAL MEMBERS  
TYPICAL DETAILS

DATE	DRAWING No.	SHEET	REV.
	IPS -D - CE -104	1	2

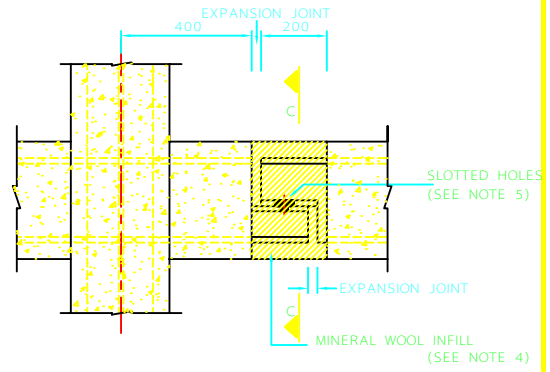


PLAN

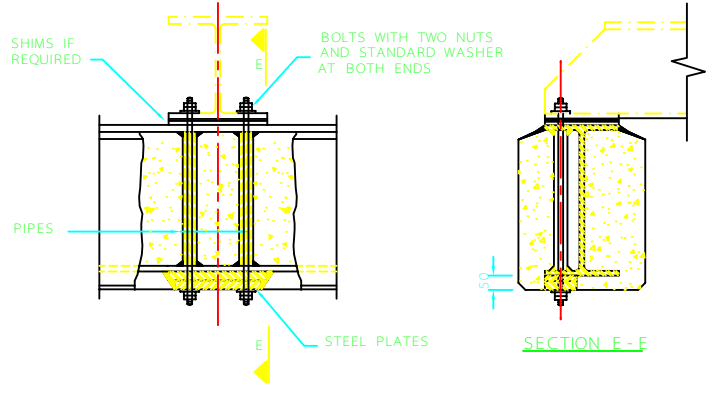


SECTIONS C-C

3mm. BOTTOM COVER PLATE

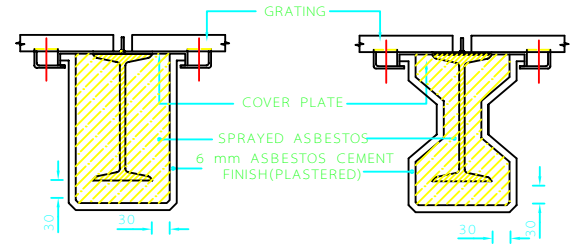


EXPANSION JOINT-DETAIL  
ELEVATION (COVER PLATES OMITTED FOR CLARITY)



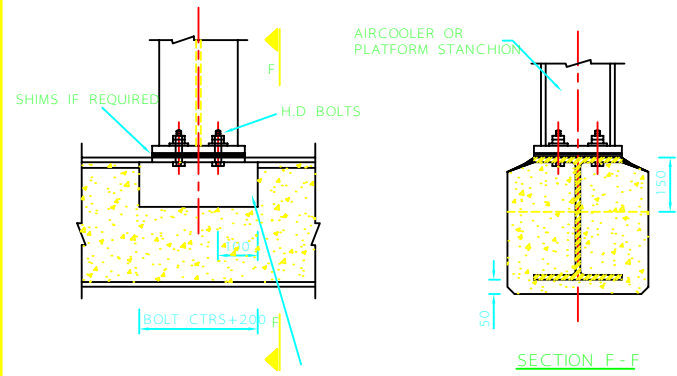
SECTION E-E

SHIMS IF REQUIRED  
PIPES  
STEEL PLATES  
BOLTS WITH TWO NUTS AND STANDARD WASHER AT BOTH ENDS



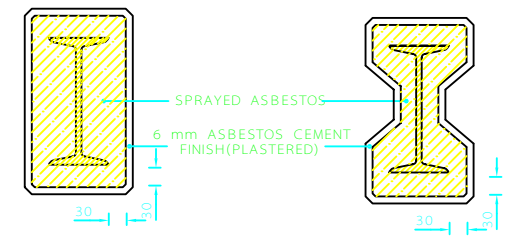
SUPPORTING BEAM

GRATING  
COVER PLATE  
SPRAYED ASBESTOS  
6 mm ASBESTOS CEMENT FINISH (PLASTERED)



SECTION F-F

AIRCOOLER OR PLATFORM STANCHION  
SHIMS IF REQUIRED  
H.D. BOLTS  
POCKETS TO BE LEFT IN FIREPROOFING UNTIL AFTER ERECTION OF STANCHION, THEN MADE GOOD




STANCHIONS

TOP OF FIREPROOFING TO BE PROVIDED WITH COVER PLATE  
METHOD 1  
RECTANGULAR SHAPE  
METHOD 2  
SHAPE OF STEEL

EQUIPMENT SUPPORTS

TYPICAL DETAILS FOR SPRAYED ASBESTOS FIREPROOFING

NOT TO SCALE

C			
B			
A			
REV	DESCRIPTION	DATE	
<p>IRANIAN PETROLEUM STANDARDS </p> <p>NO REVISION PERMITTED UNLESS APPROVED BY STANDARD ORGANIZATION</p> <p>FIREPROOFING OF STRUCTURAL MEMBERS TYPICAL DETAILS</p>			
DATE	DRAWING No.	SHEET	REV.
	IPS - D - CE - 104	2	2